

# Hydraulic Tracking Units

PRODUCT  
FACT  
SHEET

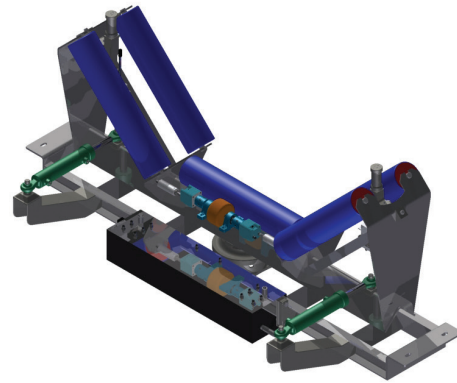
The range of TS Global hydraulic tracking units are guaranteed to protect and increase the longevity of the conveyor belt by ensuring your belt tracks true.

Our tracker design focuses on improving conveyor performance. This is achieved by reducing maintenance downtime, increasing productivity attributed to belt tracking issues and minimising spillage around the head transition and loading areas.

Balancing cost effectiveness with long life functionality makes hydraulic tracking units the ideal choice for your application.

## Application

Suitable for single direction conveyor belts 1400mm or above for coal and all iron ore applications.



 Proven Performance

 Quality Product

 Flexibility in Design

 On-time Delivery

| FEATURES                                               | BENEFITS                                                                                                                               |
|--------------------------------------------------------|----------------------------------------------------------------------------------------------------------------------------------------|
| Manufactured from high grade stainless steel           | = Increases longevity in structural components                                                                                         |
| Fully sealed system                                    | = Requires minimal maintenance or adjustment and provides unstoppable slewing power                                                    |
| Six years proven history on problem conveyors          | = No other tracking system has been effective enough to prevent belt drift trips                                                       |
| Designed to allow modular assembly and installation    | = Allows easier access into tight fitting areas<br>= Reduces manual handling hazards                                                   |
| Self-powered                                           | = No external power supply required                                                                                                    |
| Custom made to suit specific conveyors                 | = Ensures unit will bolt directly onto structure without the need to modify<br>= Eliminates hazards associated with site modifications |
| Robust design                                          | = Provides structural integrity in extreme applications eg, hard rock or iron ore                                                      |
| Designed to accommodate site rollers                   | = Utilise existing site roller stock                                                                                                   |
| Utilises belt wander switch to demine position of belt | = No requirement for servo rollers<br>= Reacts instantly to belt wander                                                                |

# Hydraulic Tracking Units

PRODUCT  
FACT  
SHEET



Please contact TS Global for part number, length and weight.

**DISTRIBUTED BY**

**PHONE** 1300 418 298 • **EMAIL** [sales@tsglobal.net.au](mailto:sales@tsglobal.net.au) • **WEB** [www.tsglobal.net.au](http://www.tsglobal.net.au)

**WELSHPOOL WA** • **TOMAGO NSW** • **MACKAY QLD**

ABN 30 603 644 748

