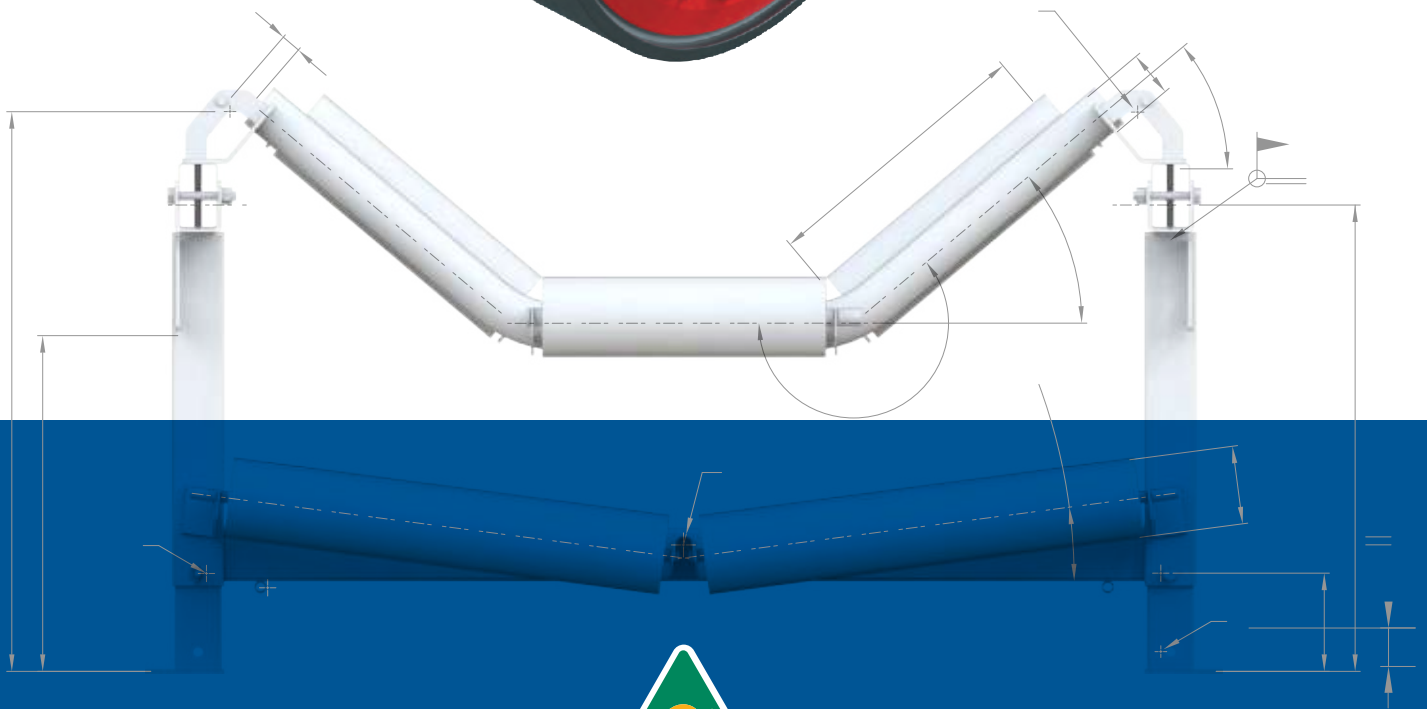
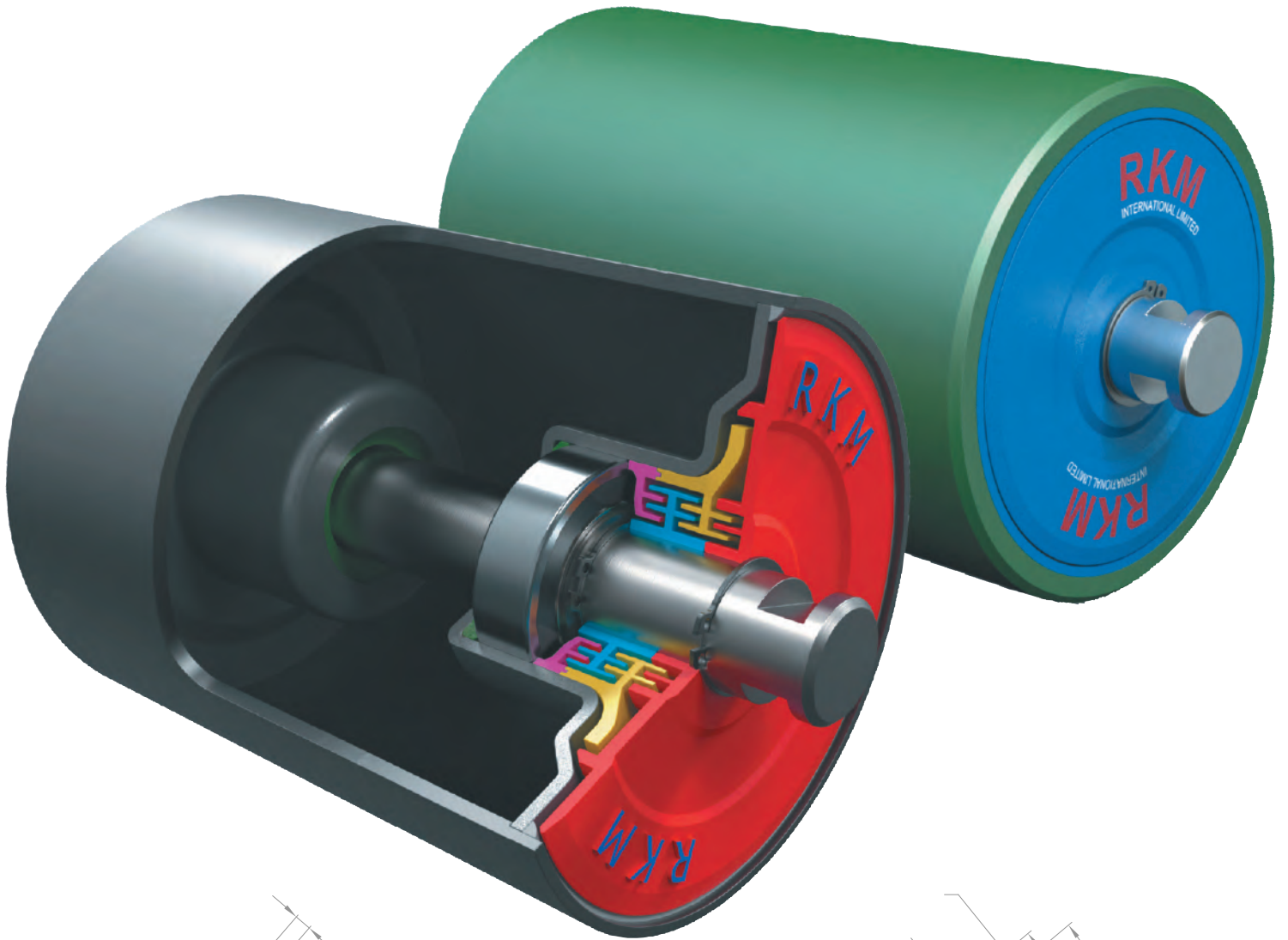


GLOBAL LEADERS IN DESIGN, MANUFACTURING  
AND SUPPLY OF HIGH SPEED CONVEYOR IDLERS  
AND STRUCTURE  
PRODUCT CATALOGUE



# Engineering Solutions & Continuous Improvements

With over 35 years engineering experience in the conveyor industry, RKM is well equipped to provide the ideal tailored engineering solution for you.

Combine this experience with our world class testing laboratory, our high-quality products, our in-house custom-built design calculation program, 3rd party independent

testing and our R&D projects, RKM has the knowledge and proven ability to support your needs.

Through total customer focus, RKM provides intelligent solutions that deliver our customers a genuine quality product at internationally competitive prices.



## Product Development

## We are focused

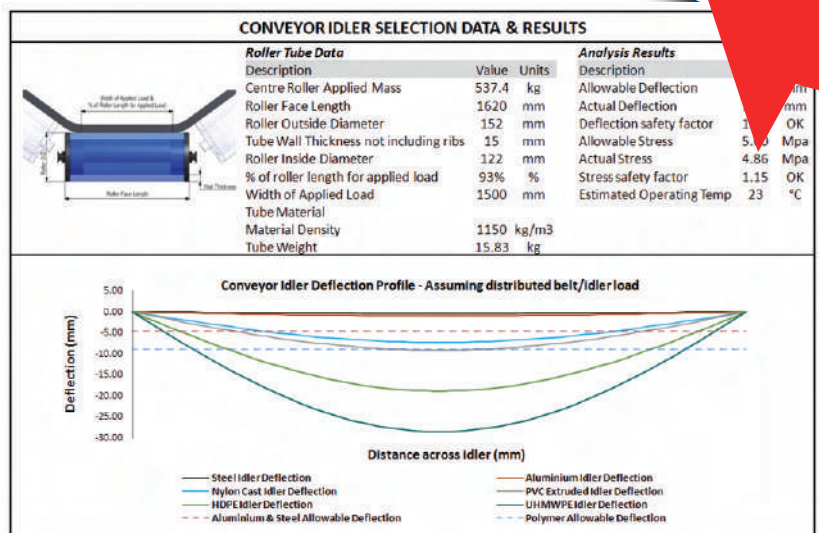
## Product Support Solutions

RKM offers engineering & technical support services for all its products. Our support staff have vast experience in the materials handling industry and are available to visit site upon request.

As well as engineering support RKM provide many site support services as listed below -

- Site auditing & inspections
- Idler database creation
- Idler failure mapping
- Failure analysis reporting
- RKM Smart Idler - live roller monitoring
- Product Trials
- Drafting services
- Product suitability checks
- On or off-site stocking and management

## Support Services



# Quality Management Systems

RKM is committed to manufacturing and supplying the highest quality products to our customers. By employing the following practices and gaining various certifications we guarantee our product is the world leader in quality.

- **Quality Tests**

- o In house testing laboratory
- o TUNRA Bulk Solids
- o SIRIM QAS International

- **Quality Control Documents**

- o RKM Quality Management Plan (QMP)
- o RKM Manufacturers Data Records (MDR)
- o Inspection Test Plan (ITP)

- **Quality Certifications**

- o ISO 9001:2015
- o SKF, NTN Bearing Handling & Installation Practices



on your business



## Flexible Responsive Manufacturing

RKM combines advanced manufacturing equipment with streamlined manufacturing processes, to produce the highest quality products at internationally competitive prices. Our automated production lines enable us to consistently and accurately manufacture high quality products, while our semi-automated lines give us the flexibility to manufacture unique products to meet your specific situation.

# RKM PRODUCT RANGE

Through extensive research and innovation RKM have developed a comprehensive product range that provides our clients with suitable rollers for any application.

## STEEL



Standard



RR Series Steel Roller



High Performance  
Low Noise



HD Low Noise

## IMPACTS



Rubber



Poly



HD Poly

## RETURNS



Flat Rubber Disc



Flat Poly Disc



Vee Poly Disc

## SPECIALS



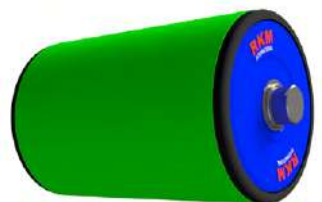
Aluminium



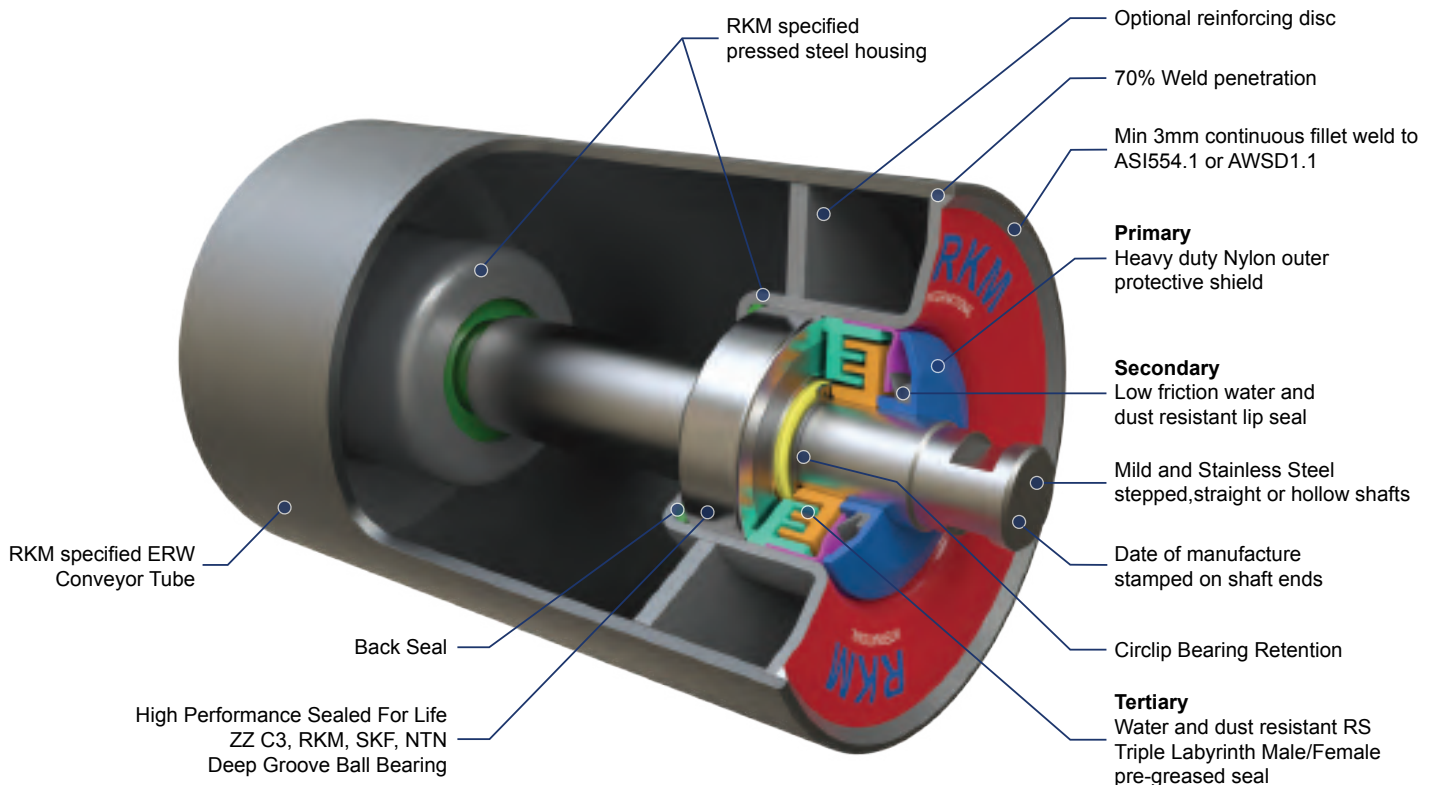
Steel Hybrid



Medium Duty PVC



HD Lightweight  
Composite



## Seal Package



- Industry proven performance
- 3 layers of bearing protection preventing the ingress of foreign material
- Optimal balance between sealing protection and low frictional resistance
- Water & dust resistant
- Bearing end float adjusted to meet your specifications

## Roller Assembly

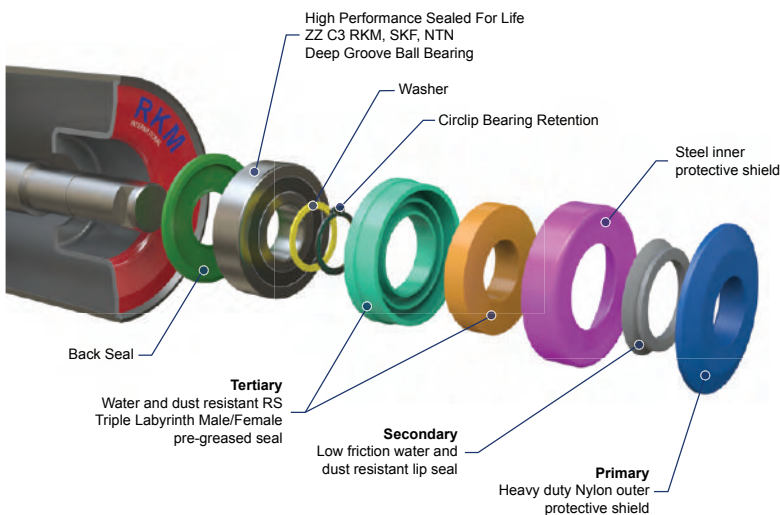


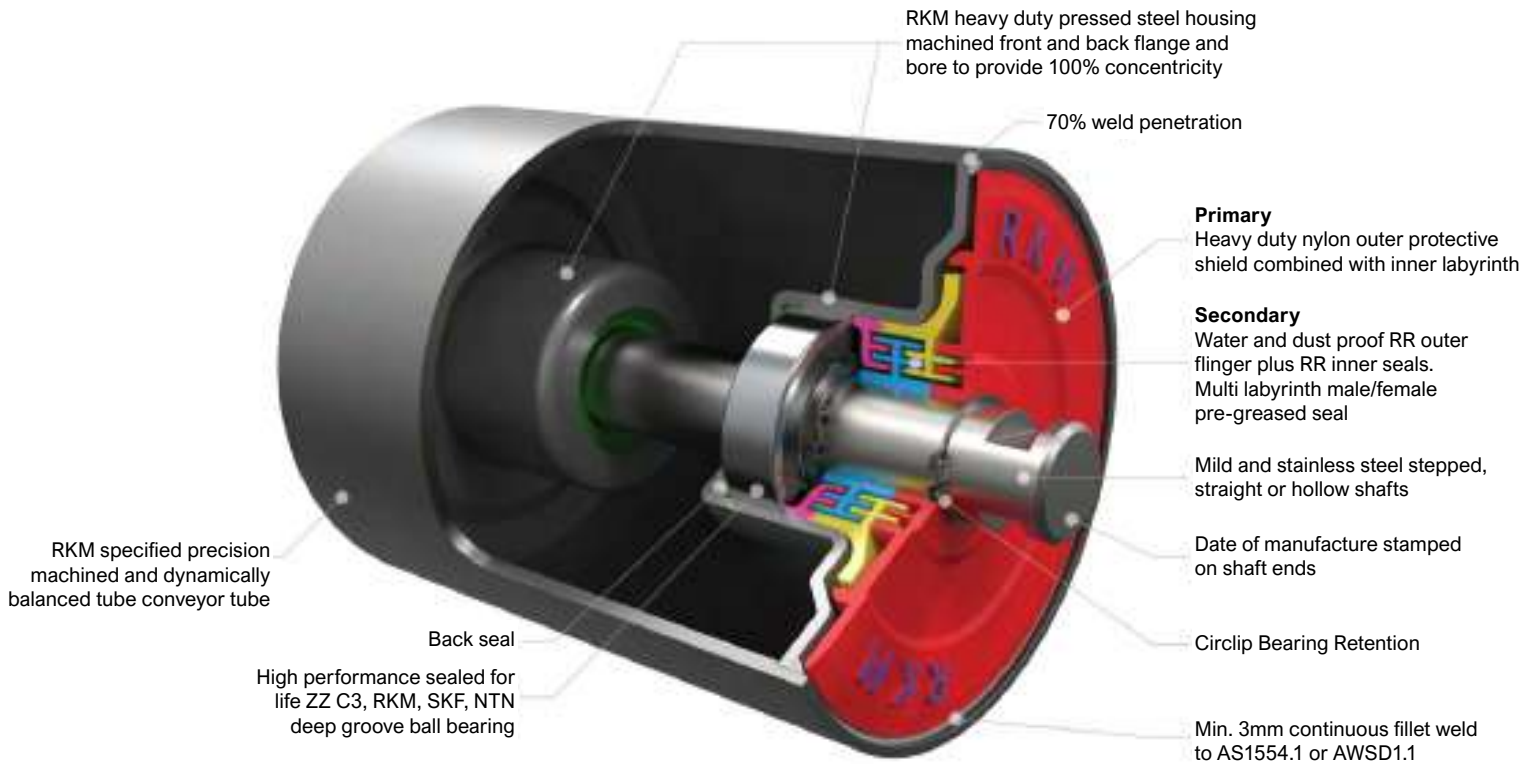
- Balanced to ISO 1940-1:2016-G40
- Minimal TIR & MIS
- Reduced vibration, noise and belt flap
- Increased bearing life
- Precision bearing alignment
- Fully sealed weld - bearing housing to tube

## Upgrades



- Surface Protection – Galvanised or Dacromet
- Rubber Lagging
- FRAS Seals
- Rock Jam Prevention Cover
- Reinforced Bearing Housing
- Name Brand Bearings
- Hollow Shaft
- RKM Smart Idler - Live Roller Monitoring
- Stainless Steel





## Seal Package

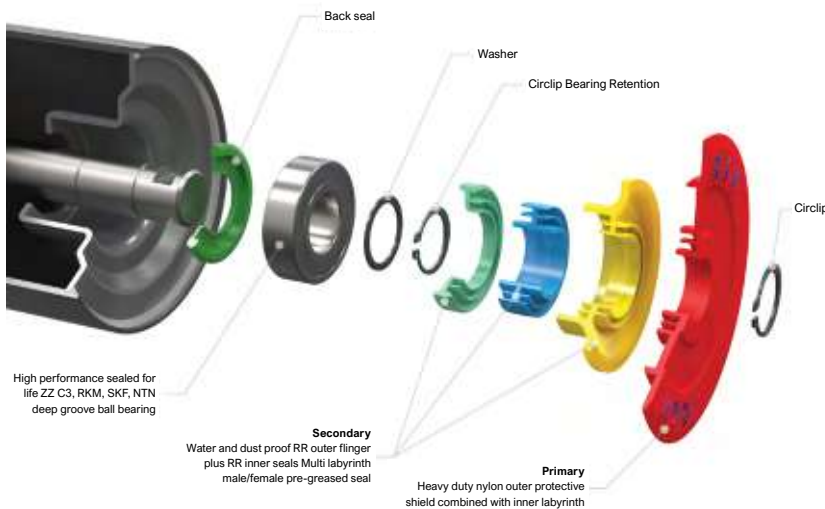


- Industry proven performance
- The outer protective shield, flinger seal and multi labyrinth sealing arrangement provides exclusive bearing protection preventing the ingress of foreign material
- Optimal balance between sealing protection and low frictional resistance
- Water & dust resistant
- Bearing end float adjusted to meet your specifications

## Roller Assembly



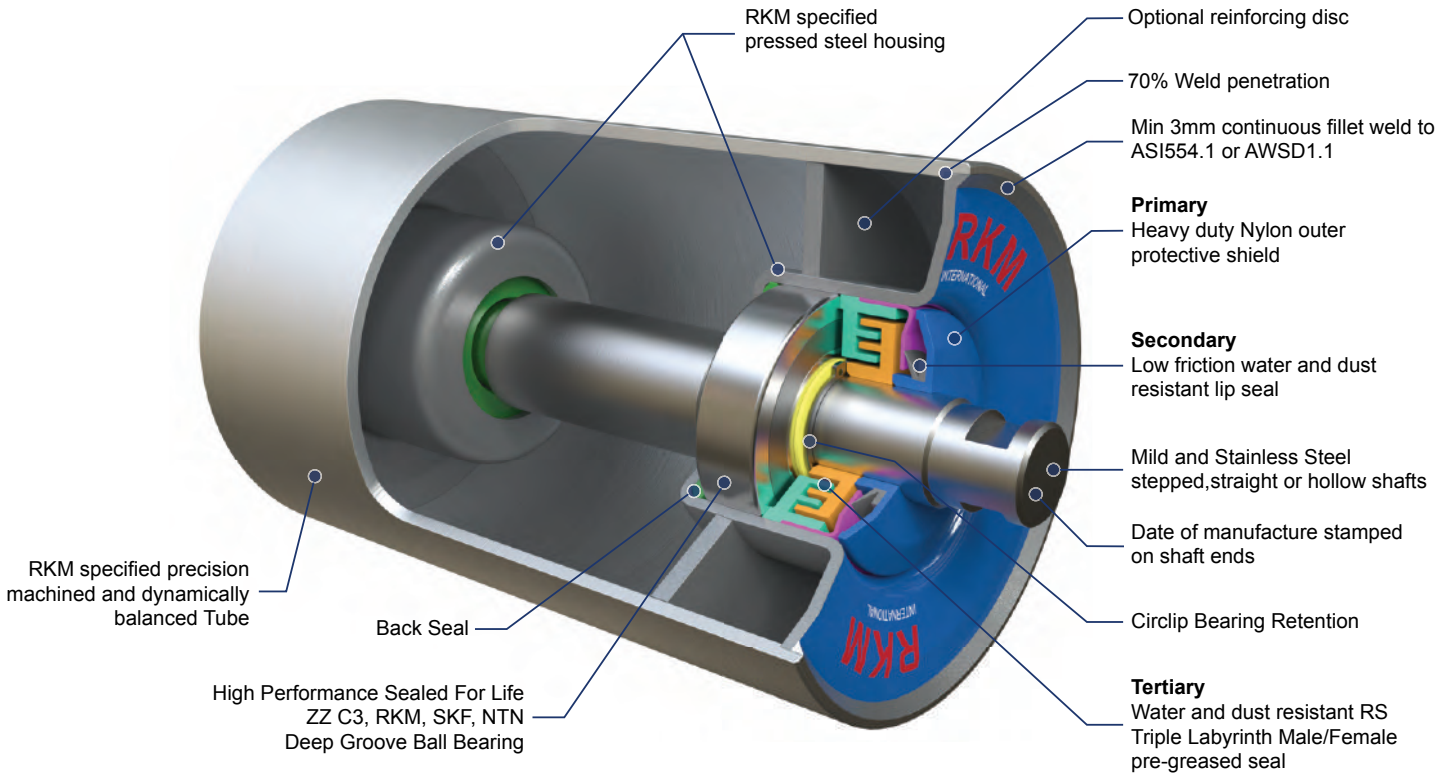
- Balanced to ISO 1940-1:2016-G40
- Minimal TIR & MIS
- Reduced vibration, noise and belt flap
- Increased bearing life
- Precision bearing alignment
- Fully sealed weld – bearing housing to tube



## Upgrades



- Surface Protection – Galvanised or Dacromet
- Rubber Lagging
- FRAS Seals
- Reinforced Bearing Housing
- Name Brand Bearings
- Hollow Shaft
- RKM Smart Idler – Live Roller Monitoring
- Stainless Steel



## Seal Package



- Industry proven performance
- 3 layers of bearing protection preventing the ingress of foreign material
- Optimal balance between sealing protection and low frictional resistance
- Water & dust resistant
- Bearing end float adjusted to meet your specifications

## Roller Assembly

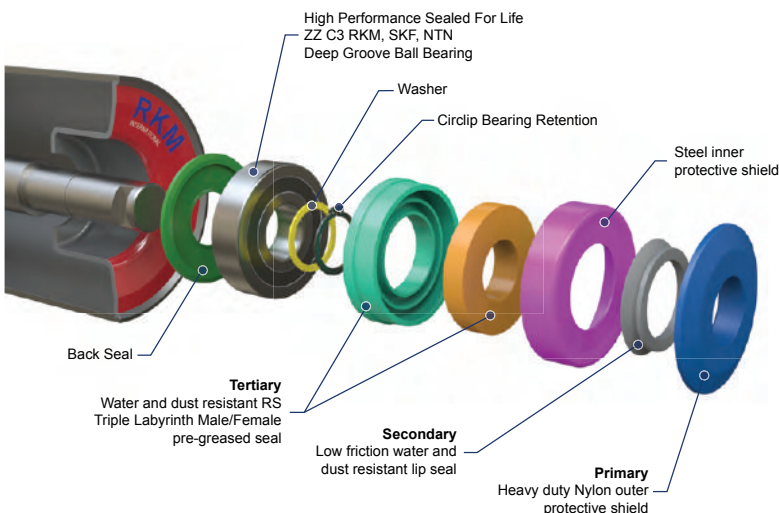


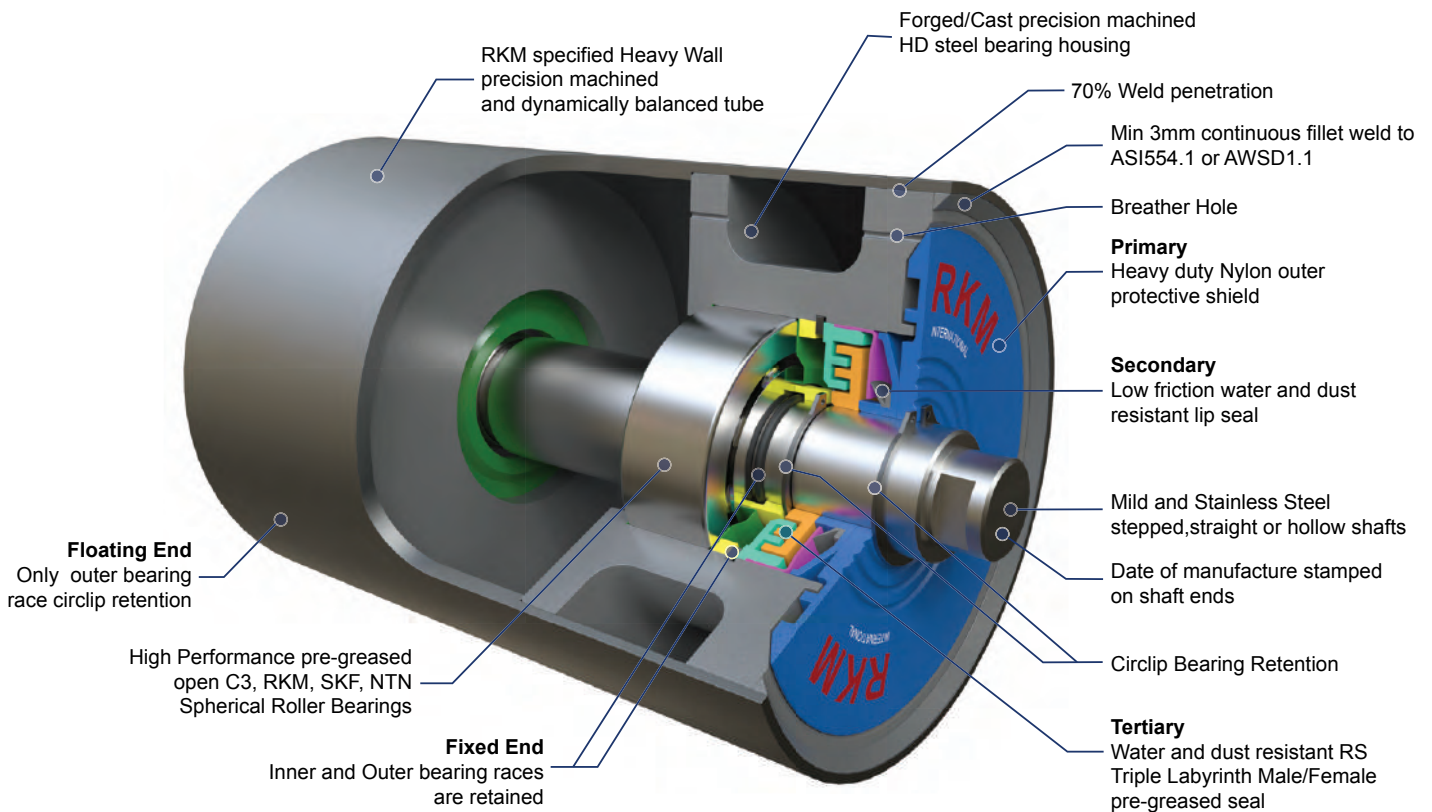
- 10dBA reduction in noise levels compared to an equivalent standard steel roller
- Balanced to ISO 1940-1:2016 - G16
- Minimal TIR (<0.13mm) & MIS (<0.1)
- Reduced vibration and belt flap
- Increased bearing life
- Fully sealed weld - bearing housing to tube

## Upgrades



- Surface Protection – Galvanised or Dacromet
- Rubber Lagging
- FRAS Seals
- Anti-Rock Jam Cover
- Stainless Steel
- Reinforced Bearing Housing
- Name Brand Bearings
- Hollow Shaft
- RKM Smart Idler - Live Roller Monitoring
- Weigh Roller – Jacking Screws





## Seal Package



- Industry proven performance
- Fixed and floating spherical roller bearings for high speed, high load applications
- 3 layers of bearing protection preventing the ingress of foreign material
- Additional anti-rock jam cover
- Optimal balance between sealing protection and low frictional resistance
- Water & dust resistant
- Custom designed bearing shields prevent ingress, with no effect on frictional resistance

## Roller Assembly

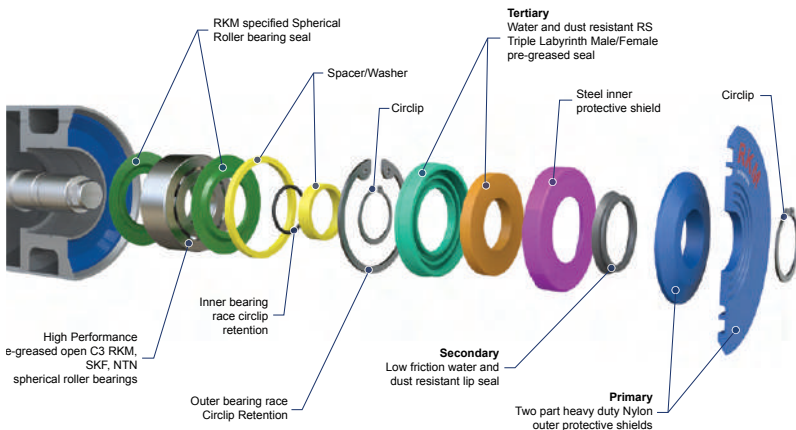


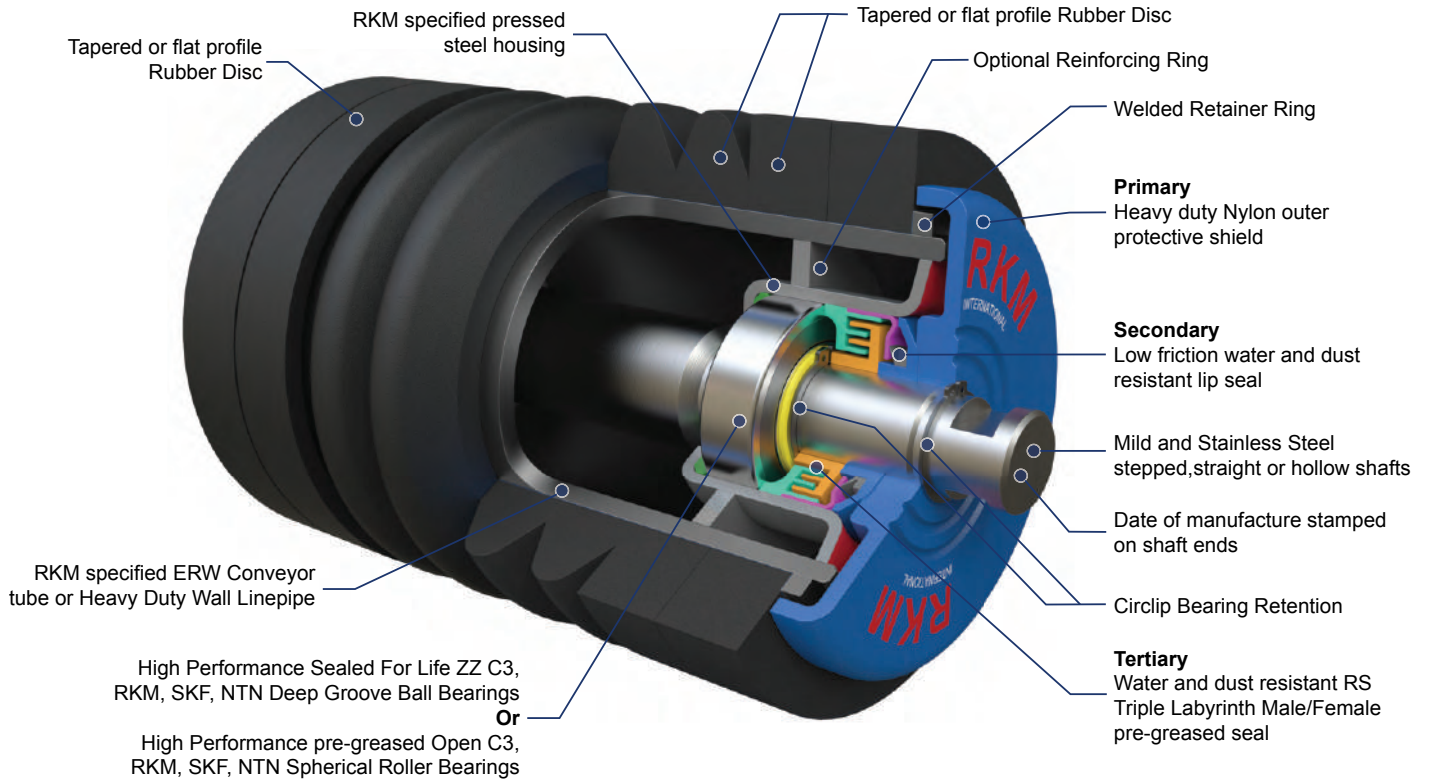
- 10dBA reduction in noise levels compared to an equivalent standard steel roller
- Dynamically balanced to ISO 1940-1:2016 - G16
- Minimal TIR (<0.13mm) & MIS (<0.1)
- Reduced vibration and belt flap
- Increased bearing life
- Fully sealed weld - bearing housing to tube

## Upgrades



- Surface Protection – Galvanised or Dacromet
- Rubber Lagging
- FRAS Seals
- Name Brand Bearings
- RKM Smart Idler - Live Roller Monitoring
- Stainless Steel





## Seal Package



- Industry proven performance
- Large outer shield for extra rock jam protection from skirt spillage
- 3 layers of bearing protection preventing the ingress of foreign material
- Optimal balance between sealing protection and low frictional resistance
- Ball bearings or spherical roller bearings can be fitted for high impact applications
- Water & dust resistant
- Bearing end float adjusted to meet your specifications

## Roller Assembly

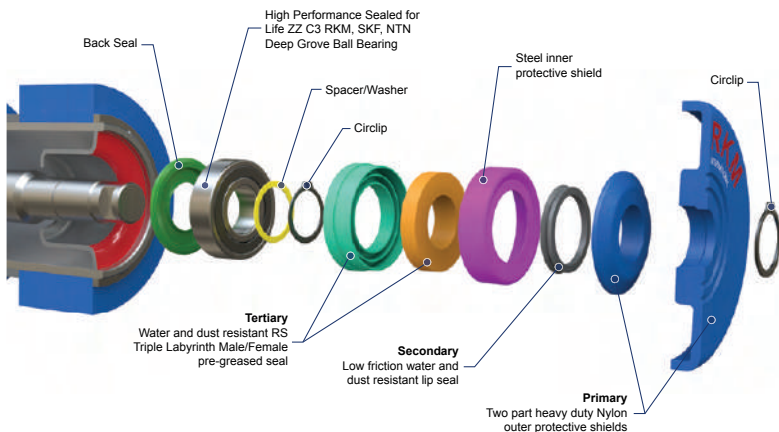


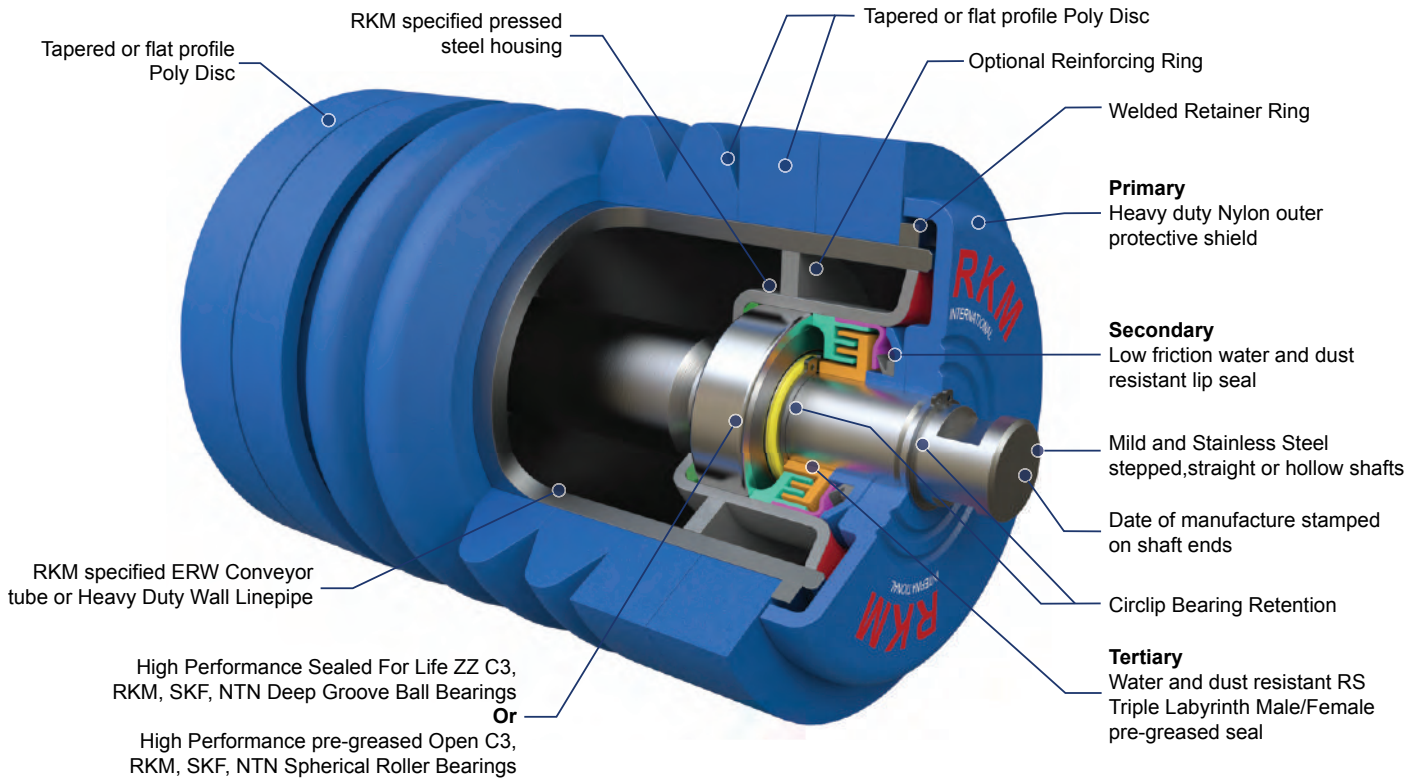
- Balanced to ISO 1940-1:2016-G40
- Excellent impact load dampening
- 2 x disc profiles for various applications or preferences
- Press fitted rubber discs and welded end retainers ensure positive retention during operation

## Upgrades



- FRAS Rubber Discs
- FRAS Seals
- Spherical Roller Bearings
- Reinforced Bearing Housing
- Name Brand Bearings
- RKM Smart Idler - Live Roller Monitoring





## Seal Package

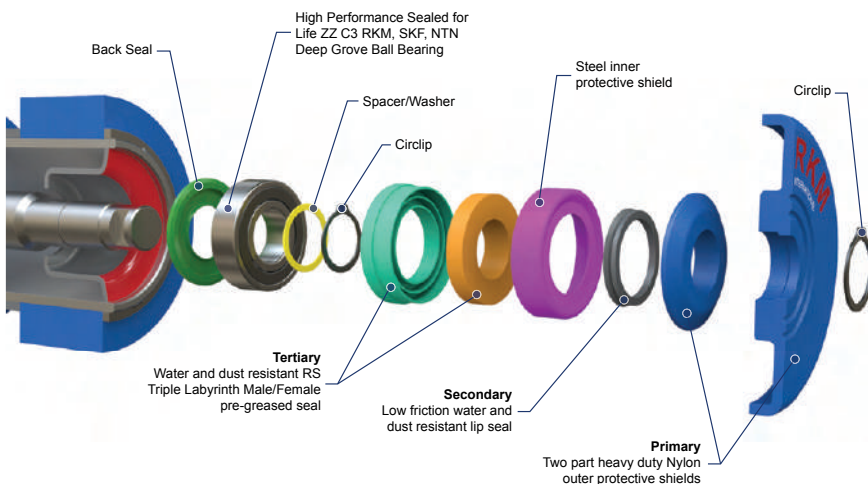


- Industry proven performance
- Large outer shield for extra rock jam protection from skirt spillage
- 3 layers of bearing protection preventing the ingress of foreign material
- Optimal balance between sealing protection and low frictional resistance
- Ball bearings or spherical roller bearings can be fitted for high impact applications
- Water & dust resistant
- Bearing end float adjusted to meet your specifications

## Roller Assembly



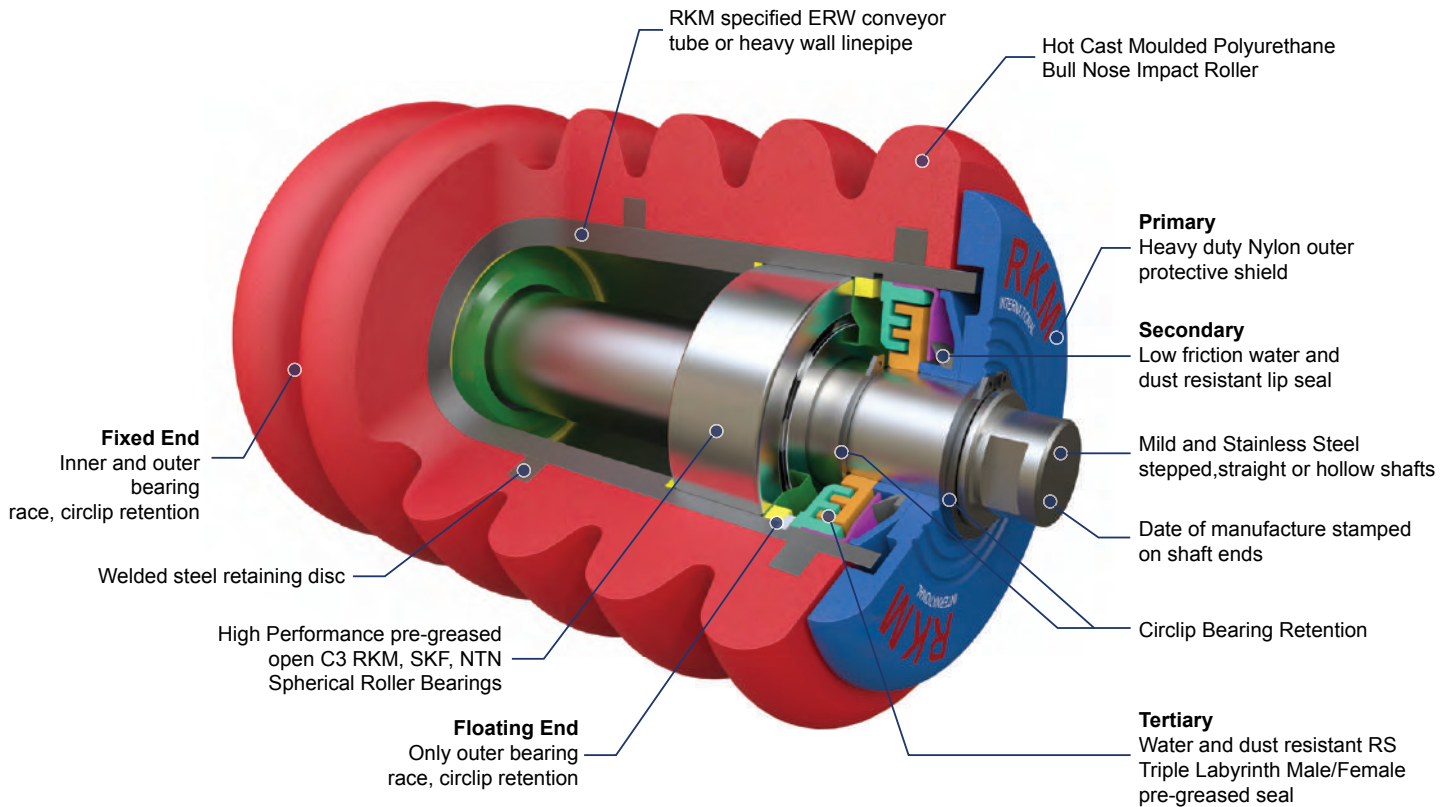
- Balanced to ISO 1940-1:2016-G40
- Excellent impact load dampening
- 2 x disc profiles for various applications or preferences
- Press fitted poly discs and welded end retainers ensure positive retention during operation
- Excellent abrasion resistance



## Upgrades



- FRAS Poly Discs
- FRAS Seals
- Spherical Roller Bearings
- Reinforced Bearing Housing
- Name Brand Bearings
- RKM Smart Idler - Live Roller Monitoring



## Seal Package



- Industry proven performance
- Fixed and floating spherical roller bearings for high speed, high load applications
- Large outer shield for extra rock jam protection from skirt spillage
- 3 layers of bearing protection preventing the ingress of foreign material
- Optimal balance between sealing protection and low frictional resistance
- Water & dust resistant
- Custom designed bearing shields prevent ingress, with no effect on frictional resistance

## Roller Assembly

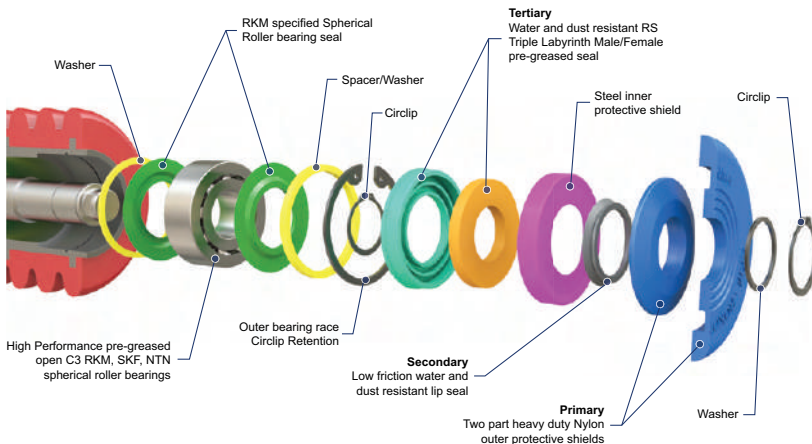


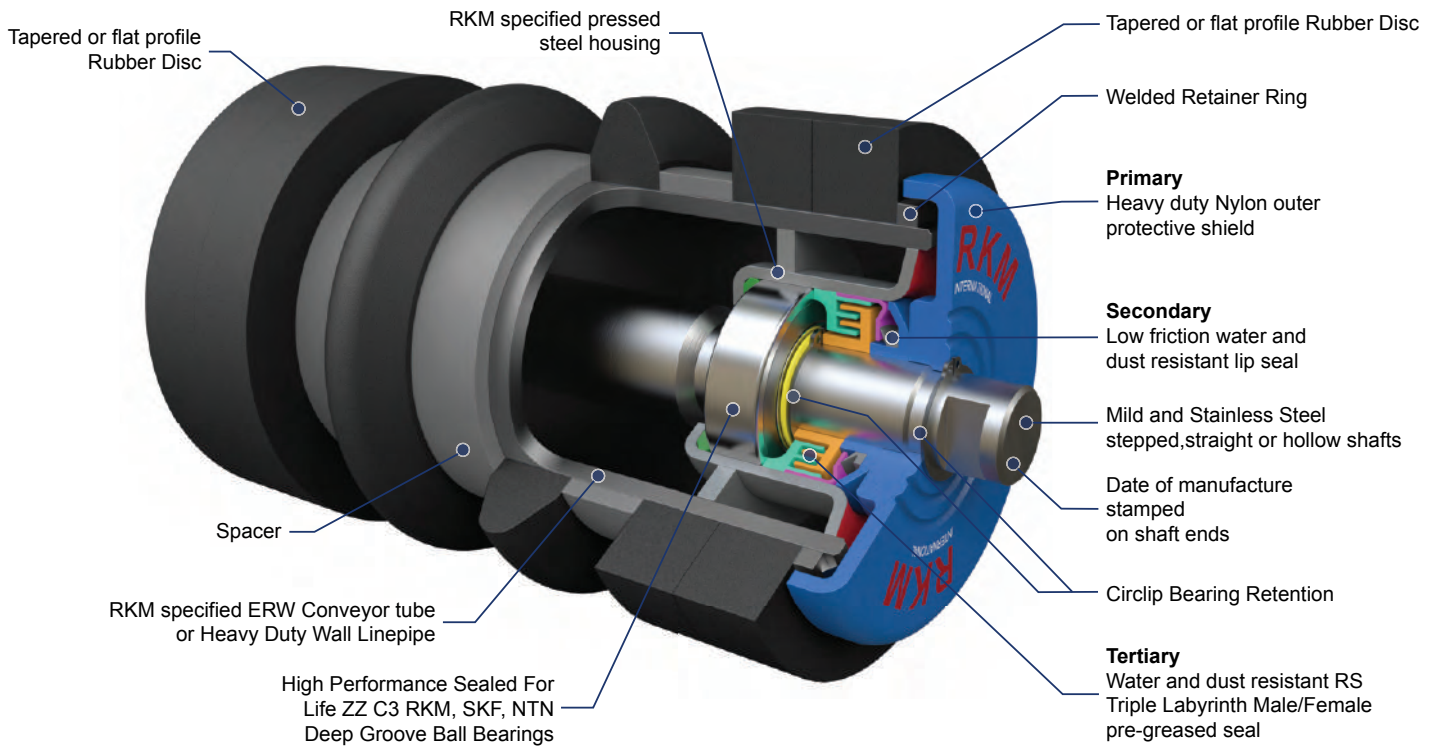
- Balanced to ISO 1940-1:2016-G40
- Superior impact load dampening for extreme conditions
- One piece hot cast poly, mechanically locked to the tube assembly ensures positive retention during heavy duty impact loading conditions
- Excellent abrasion resistance

## Upgrades



- FRAS Poly
- FRAS Seals
- Name Brand Bearings
- RKM Smart Idler - Live Roller Monitoring





## Seal Package

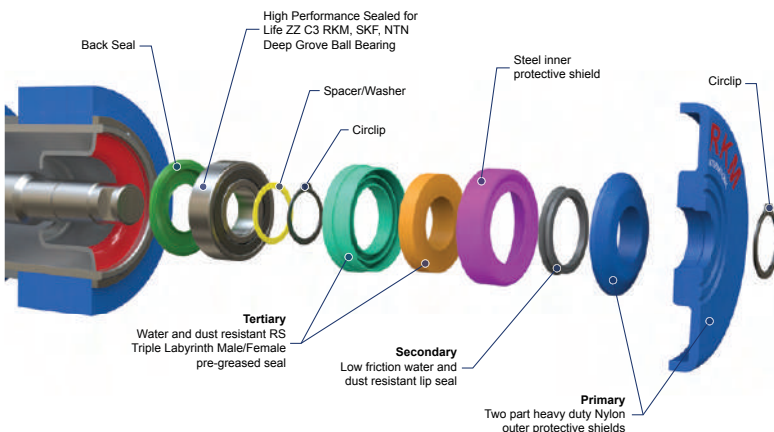


- Industry proven performance
- Large outer shield for extra rock jam protection
- 3 layers of bearing protection preventing the ingress of foreign material
- Optimal balance between sealing protection and low frictional resistance
- Water & dust resistant
- Bearing end float adjusted to meet your specifications

## Roller Assembly



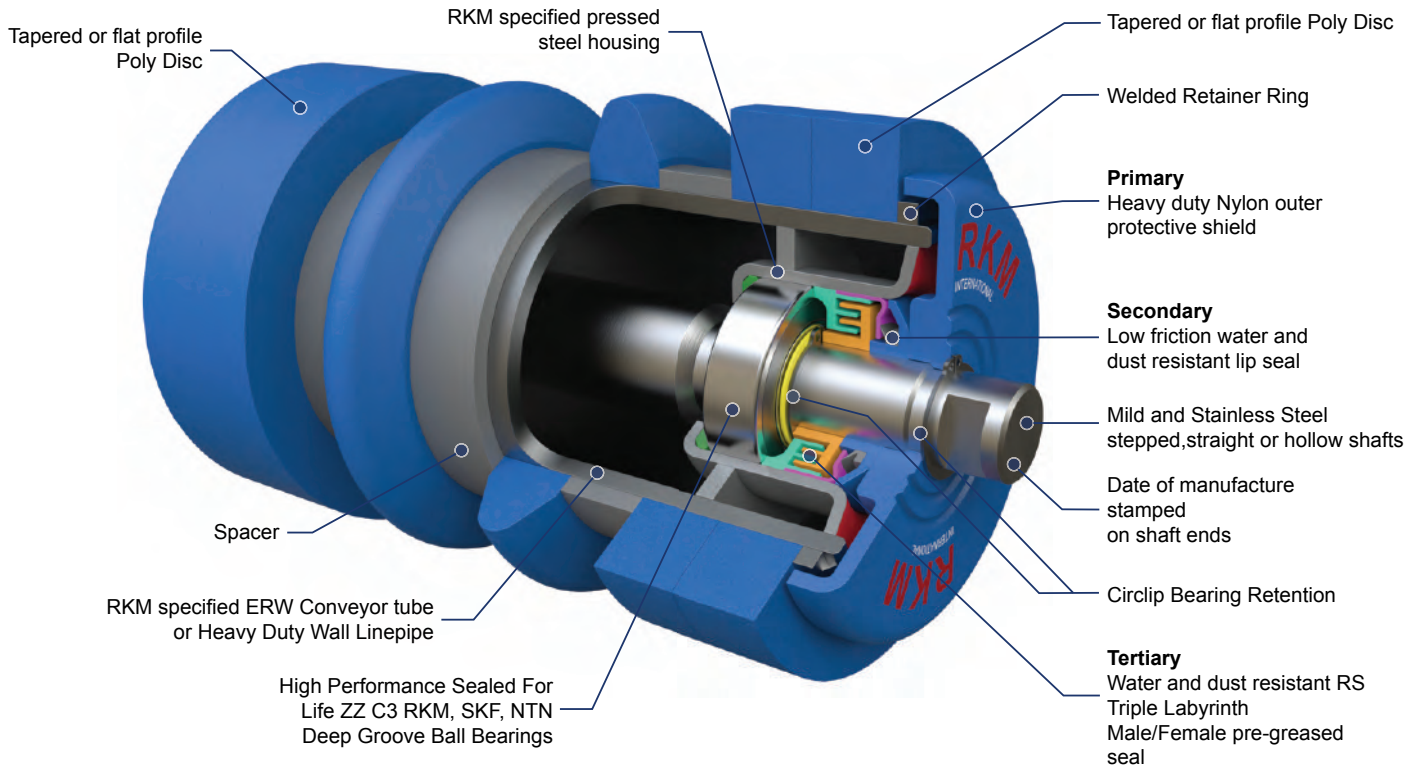
- Balanced to ISO 1940-1:2016-G40
- Reduced roller surface area, which helps shed material build up on the roller surface and prolongs roller life
- 2 x disc profiles. Flat discs are used on the ends and tapered discs in between. The flat discs reduce wear issues when the belt is tracking across the roller face
- Press fitted rubber discs and welded end retainers ensure positive retention during operation



## Upgrades



- FRAS Rubber
- FRAS Seals
- Hollow Shafts
- Name Brand Bearings
- RKM Smart Idler - Live Roller Monitoring
- Reinforced Bearing Housings



## Seal Package

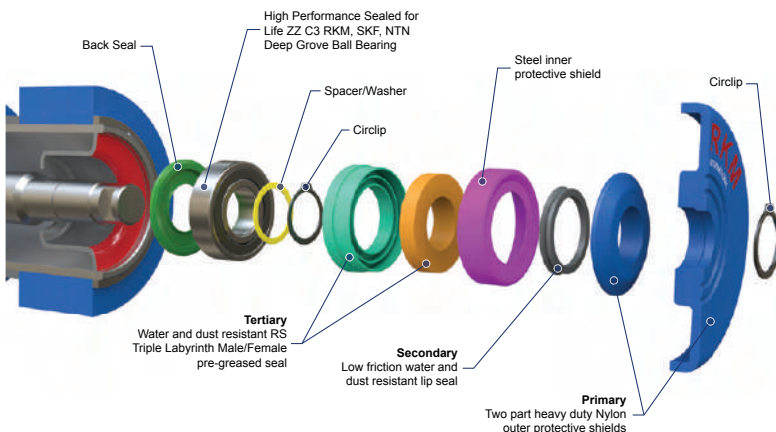


- Industry proven performance
- Large outer shield for extra rock jam protection
- 3 layers of bearing protection preventing the ingress of foreign material
- Optimal balance between sealing protection and low frictional resistance
- Water & dust resistant
- Bearing end float adjusted to meet your specifications

## Roller Assembly



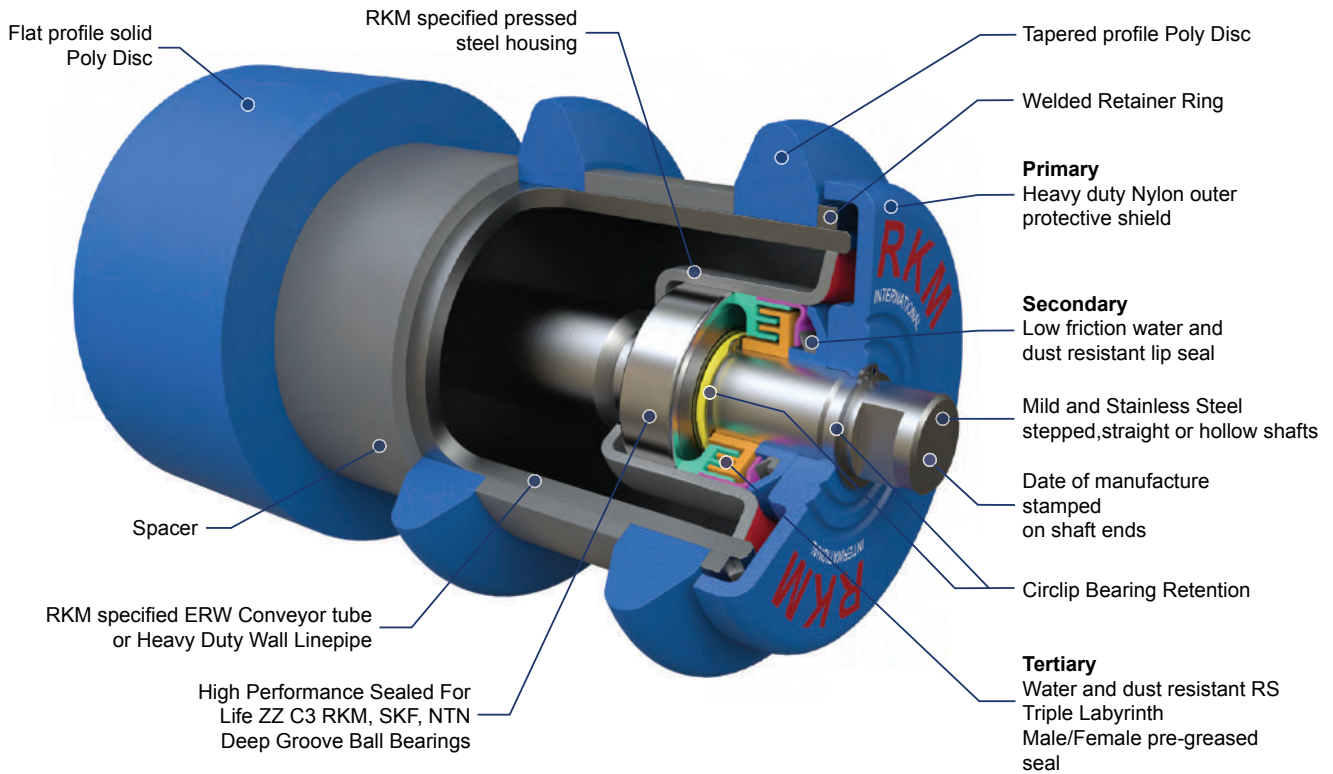
- Balanced to ISO 1940-1:2016-G40
- Reduced roller surface area, which helps shed material build up on the roller surface and prolongs roller life
- 2 x disc profiles. Flat discs are used on the ends and tapered discs in between. The flat discs reduce wear issues when the belt is tracking across the roller face
- Press fitted poly discs and welded end retainers ensure positive retention during operation
- Excellent abrasion resistance



## Upgrades



- FRAS Poly
- FRAS Seals
- Hollow Shafts
- Name Brand Bearings
- RKM Smart Idler - Live Roller Monitoring
- Reinforced Bearing Housings



## Seal Package

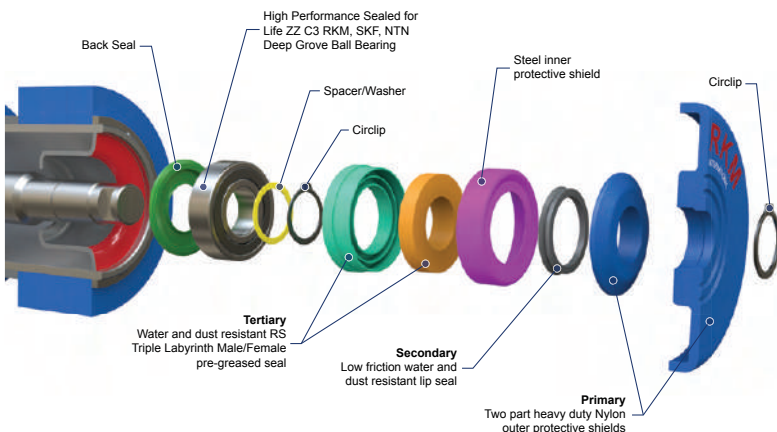


- Industry proven performance
- Large outer shield for extra rock jam protection
- 3 layers of bearing protection preventing the ingress of foreign material
- Optimal balance between sealing protection and low frictional resistance
- Water & dust resistant
- Bearing end float adjusted to meet your specifications

## Roller Assembly



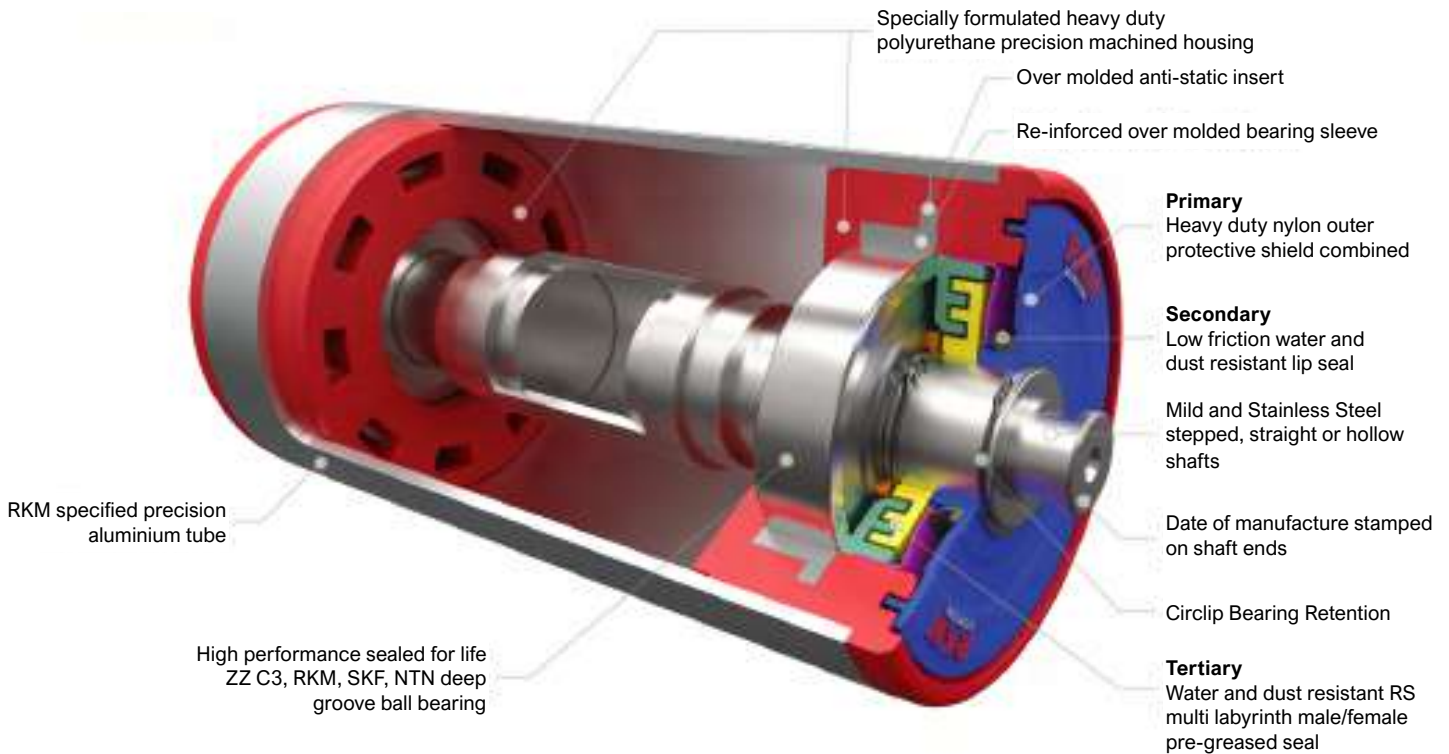
- Balanced to ISO 1940-1:2016-G40
- Reduced roller surface area, which helps shed material build up on the roller surface and prolongs roller life
- 2 x disc profiles. Flat discs are used on the ends and tapered discs in between. The flat discs reduce wear issues when the belt is tracking across the roller face
- Press fitted poly discs and welded end retainers ensure positive retention during operation
- Excellent abrasion resistance



## Upgrades



- FRAS Rubber
- FRAS Seals
- Hollow Shafts
- Name Brand Bearings
- RKM Smart Idler - Live Roller Monitoring
- Reinforced Bearing Housings



## Seal Package

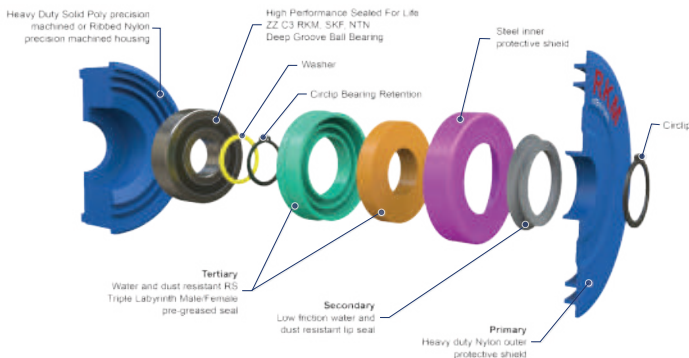


- Industry proven performance
- Large outer shield for extra rock jam protection
- 3 layers of bearing protection preventing the ingress of foreign material
- Optimal balance between sealing protection and low frictional resistance
- Water & dust resistant
- Bearing end float adjusted to meet your specifications

## Roller Assembly



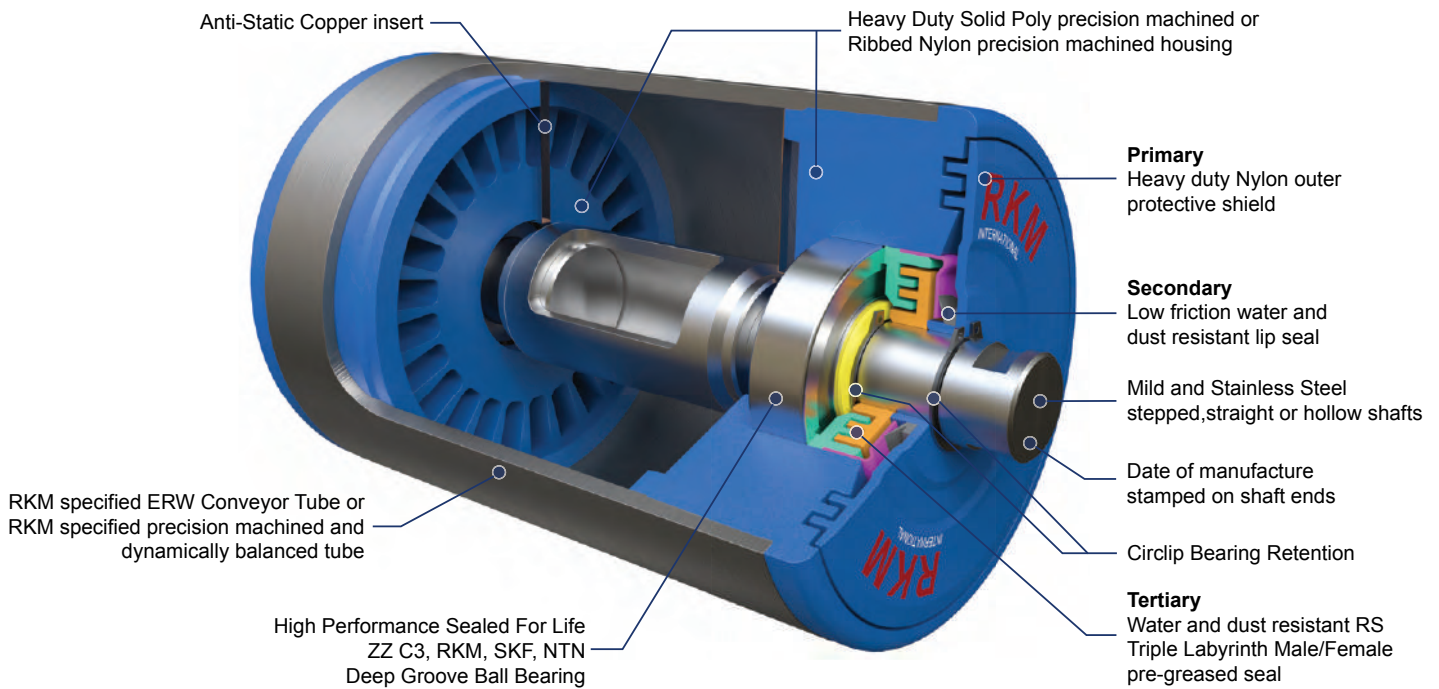
- 10dBA reduction in noise levels compared to an equivalent standard steel roller
- Balanced to ISO 1940-1:2016 - G16
- Meets Australian Industry Standard of minimum TIR & MIS (<0.1)
- Corrosion resistant
- 30% reduction in weight compared to an equivalent steel roller
- Reduced vibration and belt flap
- Belt friendly
- Increased bearing life



## Upgrades



- Hollow Shafts
- Heavy Duty Solid Bearing Housing
- Stainless Steel
- Name Brand Bearings
- RKM Smart Idler - Live Roller Monitoring
- Weigh Roller – Jacking Screws



## Seal Package

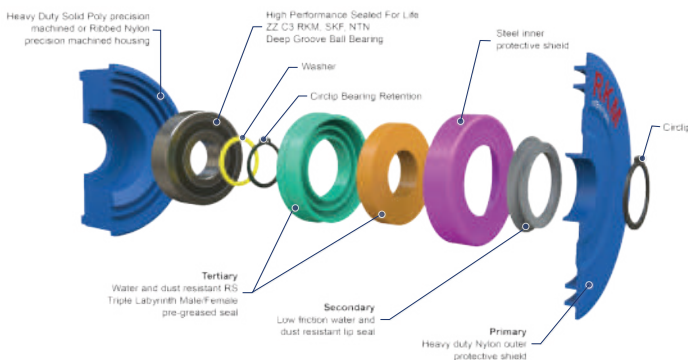


- Industry proven performance
- Large outer shield for extra rock jam protection
- 3 layers of bearing protection preventing the ingress of foreign material
- Optimal balance between sealing protection and low frictional resistance
- Water & dust resistant
- Bearing end float adjusted to meet your specifications

## Roller Assembly



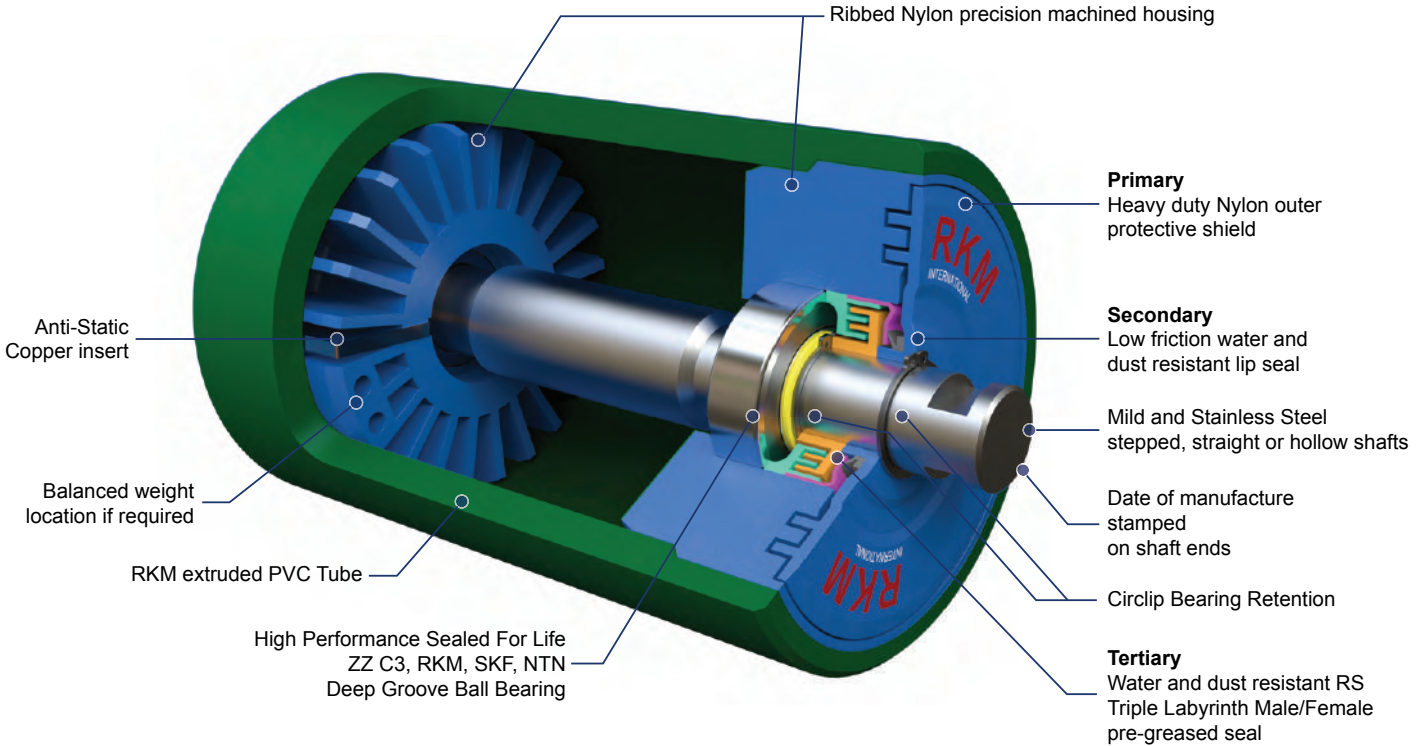
- Balanced to ISO 1940-1:2016-G40
- Minimal TIR & MIS
- Reduced vibration, noise and belt flap
- Increased bearing life
- Precision bearing alignment



## Upgrades



- Surface Protection – Galvanised or Dacromet
- Hollow Shafts
- Heavy Duty Solid Bearing Housing
- Rubber Lagging
- Stainless Steel
- Machined & Dynamically Balanced
- Name Brand Bearings
- RKM Smart Idler – Live Roller Monitoring
- Weigh Roller – Jacking Screws



**Seal Package**

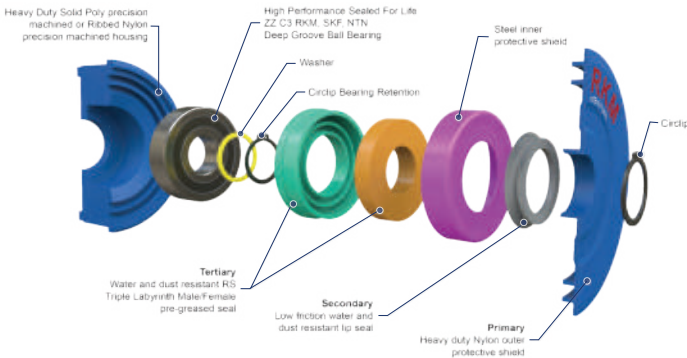


- Industry proven performance
- Large outer shield for extra rock jam protection
- 3 layers of bearing protection preventing the ingress of foreign material
- Optimal balance between sealing protection and low frictional resistance
- Water & dust resistant
- Bearing end float adjusted to meet your specifications

**Roller Assembly**



- Reduced noise levels
- Excellent co-efficient of friction, prevents material build up on the roller surface
- Balanced to ISO 1940-1:2016-G40
- Minimal TIR & MIS
- Corrosion resistant
- 40% reduction in weight compared to an equivalent steel roller
- Reduced vibration and belt flap
- Belt friendly



**Upgrades**



- Machined & Dynamically Balanced
- Hollow Shafts
- Heavy Duty Solid Bearing Housing
- Name Brand Bearings
- RKM Smart Idler - Live Roller Monitoring

# FEATURES AND BENEFITS



**RPM Monitoring**



**Real-Time 24/7  
Wireless Monitoring**



Gateway



Office



**Reduced Downtime**

Accurately monitor your rollers "health" 24/7, predict failures, hence reducing downtime.



**Reduced Damage**

Monitor your rollers in real-time alerting you before roller failure.



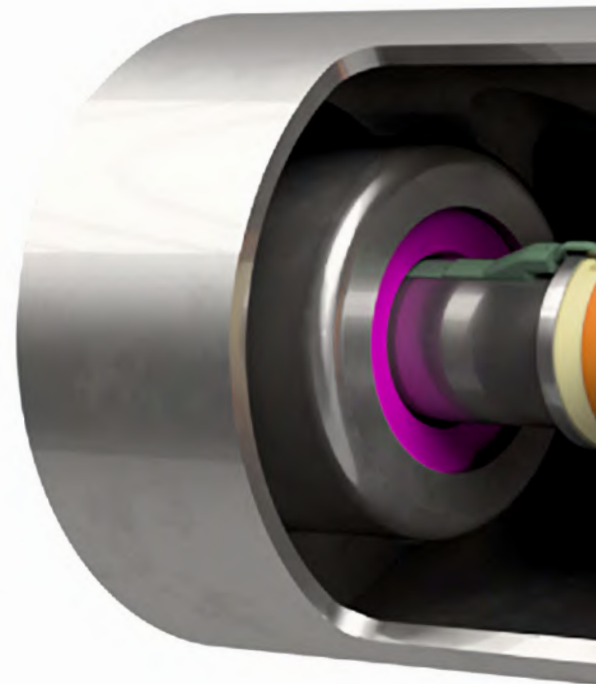
**Simplify Maintenance**

Reduce the need for visual inspections. Eliminate bulk roller change outs and reduce site roller stock levels.



**Improve Safety**

Roller maintenance information is gathered from the control room, hence removing personnel from the conveyor environment. Reduced risk of roller related fires.



**Smart Roller**

**in conjunction with VAYERON<sup>®</sup> Technology**

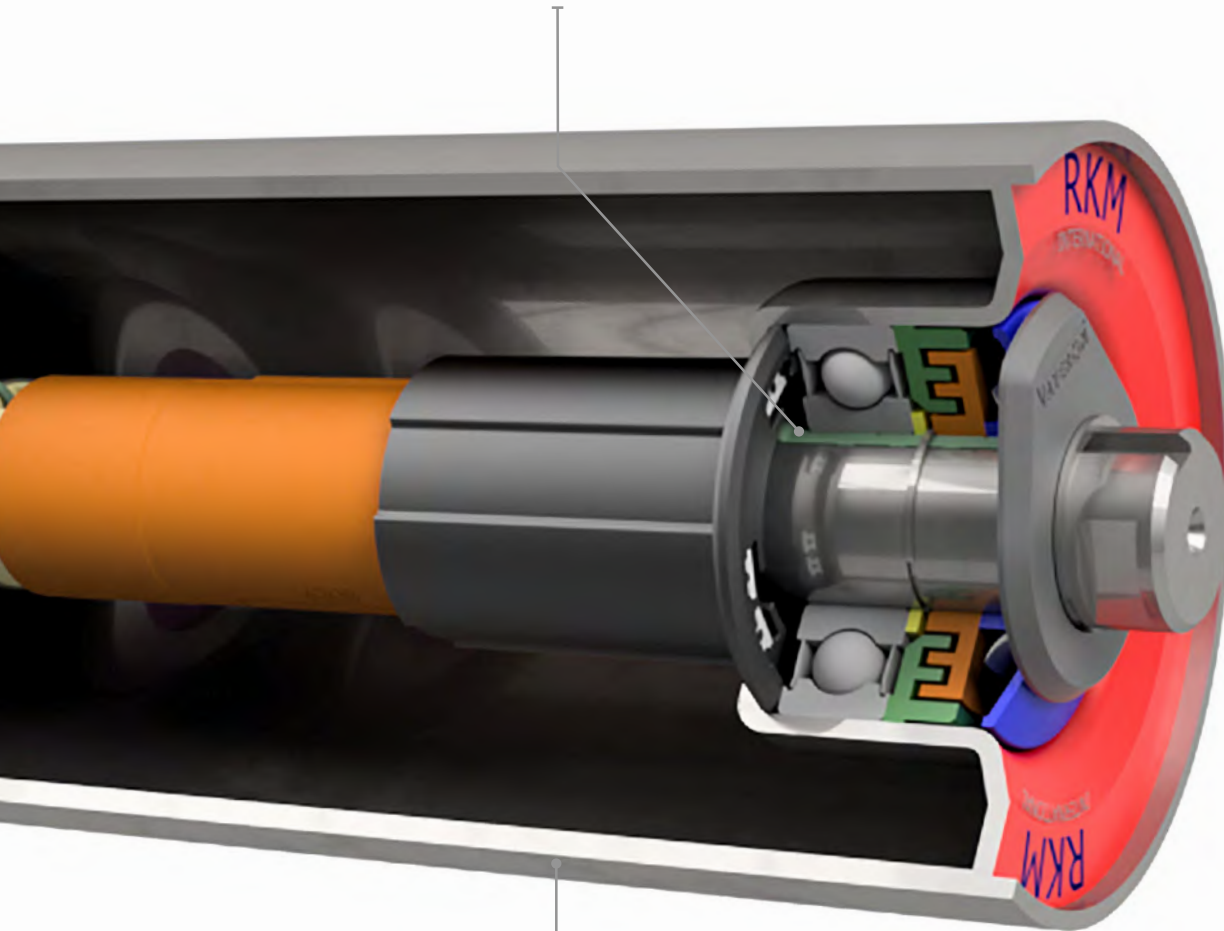
# OVERVIEW



Bearing Temperature Monitoring



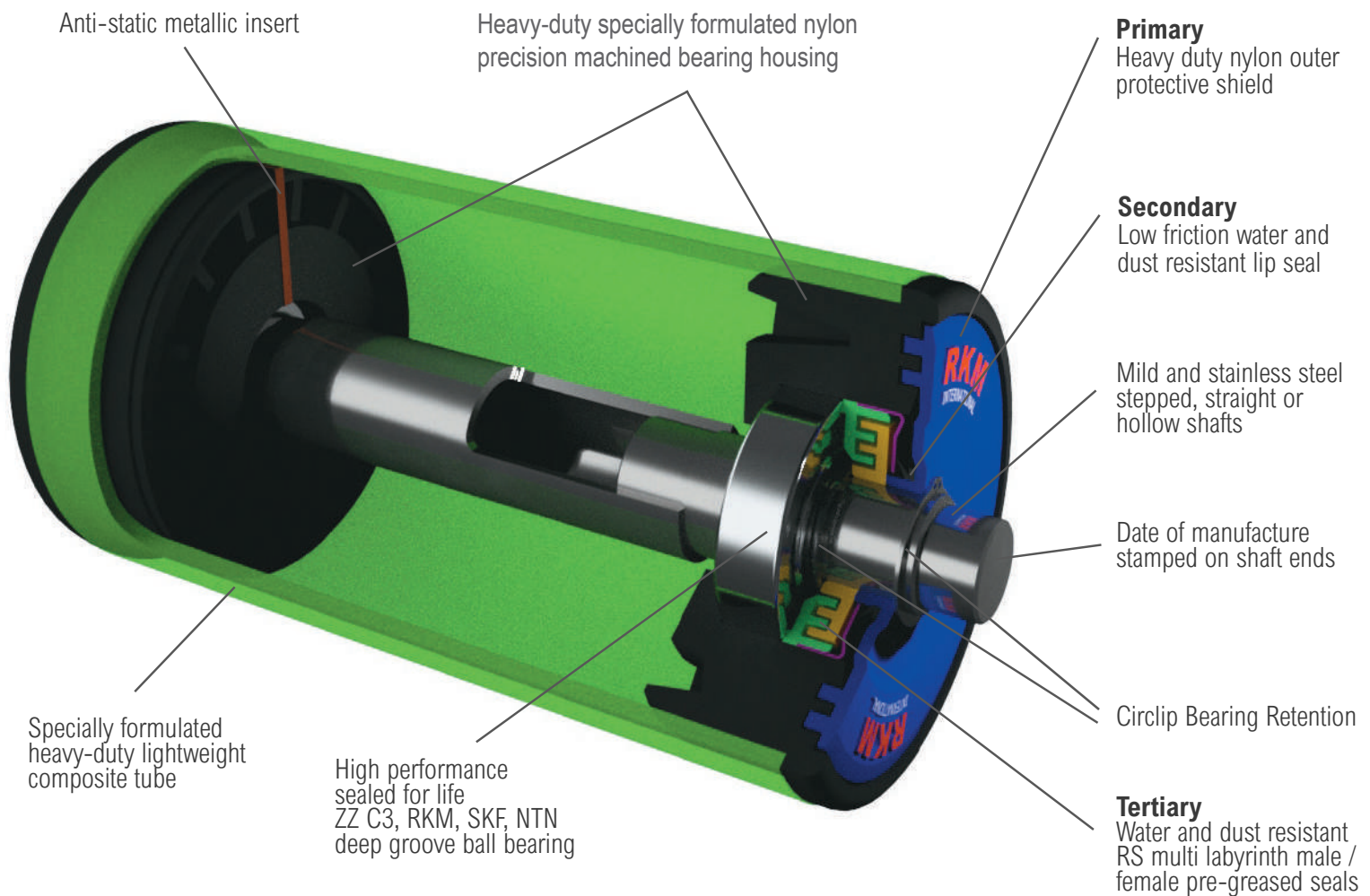
Bearing Vibration Monitoring



Shell Wear  
Detection



# RKM Heavy Duty Lightweight Composite Roller



By using a unique pull-winding process, high grade glass reinforcement and resin to bind the fibers together, it provides superior flexural strength and stiffness comparable to Steel.

This combination has been used in • Power Pole Cross arms • Boardwalks • Foot Bridges • Road Bridges • Pontoons • Jetties • Various Mine Structures • Piping, Casing & Tubing • Reinforcing (Rebar)

#### KEY FEATURES:

- Up to 50 % lighter than Steel
- Advanced wear properties
- Superior Stiffness and Flexural Strength, comparable to Steel
- Low Noise
- High Performance Sealing package
- HD Bearing Housing

The RKM Heavy Duty Light Weight Composite Roller provides low weight and less noise in comparison to the normal plain steel rollers. The specially formulated composite shell is as strong as steel but 50% lighter. We have designed into the housing our proven RS seal package along with a primary heavy-duty nylon protective outer dual labyrinth shield, which will eliminate any rock jamming & provides additional protection against the ingress of contaminants. Computerized dynamic balancing machines enable us to produce a dynamically balanced roller which meets AS3709 G16 and achieves the best possible TIR and MIS, reducing any noise generated from the belt running across the surface of the roller.

As a solution driven Idler manufacture, RKM continues to innovate products suitable for today's heavy mining applications.

# PRODUCT SUPPORT SERVICES

RKM provides a variety of support services to our customers to ensure product satisfaction is achieved from conception to end of life.

## RKM provides the following Product Support Services –

---



### ENGINEERING SUPPORT

- Tailored Engineering Solutions
  - Product Design Checks & Analysis
  - Technical Product Training & Awareness
  - Technical On-Site Support
  - Product Drawings
  - In-house testing laboratory
  - Troubleshooting & Product Improvements
- 



### SITE SUPPORT

- Total Idler Management System
    - Product Implementation Planning
    - Conveyor Audits
    - Product Database
    - Roller Tracking
      - PDS Asset Management
      - Vayeron Smart Idler
    - Data Analysis & Reporting
  - Troubleshooting & Product Improvements
  - Product Trials, Monitoring & Reporting
- 



### PRODUCT AVAILABILITY

- Product Stock Management
    - On-site
    - Australian and global warehouses
    - China Warehouse
-

# ENGINEERING SUPPORT

## Tailored Engineering Solutions

RKM has an experienced engineering team with an extensive knowledge of the materials handling industry. We can tailor an engineered solution to suit your needs. Whether it be a specific type of roller issue, a manual handling safety concern or poor access to an elevated gantry or a heavy-duty application we have the team, the commitment and the focus to deliver your solution.

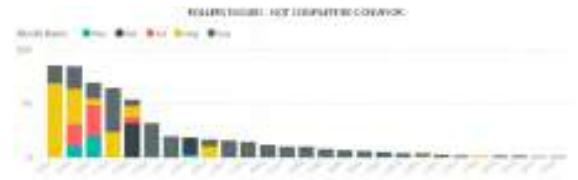
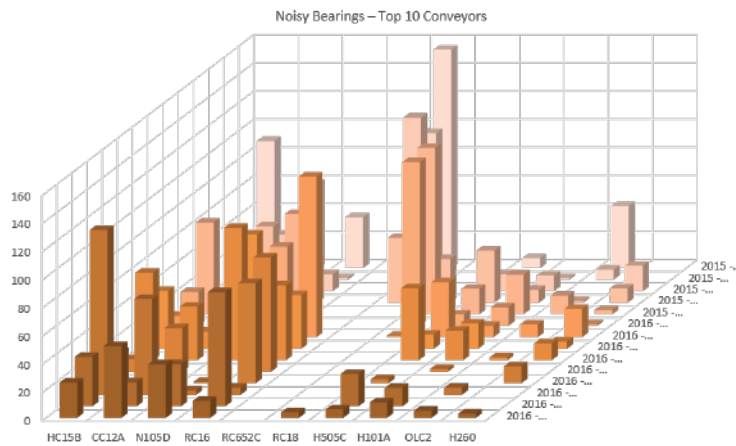
## Product Design Checks & Analysis

RKM can provide complete product analysis. From our in-house custom-built design program, to our world class testing laboratory, to the use of 3rd party independent testing from TUNRA Bulk Solids, allows us to calculate, test and confirm designs before engaging in site trials.

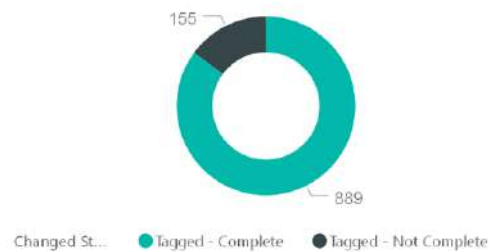
CONVEYOR IDLER SELECTION DATA & RESULTS					
CLIENT: ROLLER TRIAL		FILE / QUOTE No.			
PROJECT: EXAMPLE		DATE:			
CONVEYOR: 4 ROLL TROUGH ALUMINIUM & NYLON					
<b>IDLER SELECTION DESIGN DATA</b>					
ROLLER TYPE & CODE	3000	3000	3000	3000	3000
BELT WIDTH	1200	1200	1200	1200	1200
SPACING	1000	1000	1000	1000	1000
CONVEYOR SPEED	100	100	100	100	100
CONVEYOR MATERIAL	100	100	100	100	100
CONVEYOR TYPE	100	100	100	100	100
CONVEYOR WIDTH	100	100	100	100	100
CONVEYOR LENGTH	100	100	100	100	100
CONVEYOR WEIGHT	100	100	100	100	100
CONVEYOR MATERIAL	100	100	100	100	100
CONVEYOR TYPE	100	100	100	100	100
CONVEYOR WIDTH	100	100	100	100	100
CONVEYOR LENGTH	100	100	100	100	100
CONVEYOR WEIGHT	100	100	100	100	100
CONVEYOR MATERIAL	100	100	100	100	100
CONVEYOR TYPE	100	100	100	100	100
CONVEYOR WIDTH	100	100	100	100	100
CONVEYOR LENGTH	100	100	100	100	100
CONVEYOR WEIGHT	100	100	100	100	100
CONVEYOR MATERIAL	100	100	100	100	100
CONVEYOR TYPE	100	100	100	100	100
CONVEYOR WIDTH	100	100	100	100	100
CONVEYOR LENGTH	100	100	100	100	100
CONVEYOR WEIGHT	100	100	100	100	100
CONVEYOR MATERIAL	100	100	100	100	100
CONVEYOR TYPE	100	100	100	100	100
CONVEYOR WIDTH	100	100	100	100	100
CONVEYOR LENGTH	100	100	100	100	100
CONVEYOR WEIGHT	100	100	100	100	100
CONVEYOR MATERIAL	100	100	100	100	100
CONVEYOR TYPE	100	100	100	100	100
CONVEYOR WIDTH	100	100	100	100	100
CONVEYOR LENGTH	100	100	100	100	100
CONVEYOR WEIGHT	100	100	100	100	100
CONVEYOR MATERIAL	100	100	100	100	100
CONVEYOR TYPE	100	100	100	100	100
CONVEYOR WIDTH	100	100	100	100	100
CONVEYOR LENGTH	100	100	100	100	100
CONVEYOR WEIGHT	100	100	100	100	100
CONVEYOR MATERIAL	100	100	100	100	100
CONVEYOR TYPE	100	100	100	100	100
CONVEYOR WIDTH	100	100	100	100	100
CONVEYOR LENGTH	100	100	100	100	100
CONVEYOR WEIGHT	100	100	100	100	100
CONVEYOR MATERIAL	100	100	100	100	100
CONVEYOR TYPE	100	100	100	100	100
CONVEYOR WIDTH	100	100	100	100	100
CONVEYOR LENGTH	100	100	100	100	100
CONVEYOR WEIGHT	100	100	100	100	100
CONVEYOR MATERIAL	100	100	100	100	100
CONVEYOR TYPE	100	100	100	100	100
CONVEYOR WIDTH	100	100	100	100	100
CONVEYOR LENGTH	100	100	100	100	100
CONVEYOR WEIGHT	100	100	100	100	100
CONVEYOR MATERIAL	100	100	100	100	100
CONVEYOR TYPE	100	100	100	100	100
CONVEYOR WIDTH	100	100	100	100	100
CONVEYOR LENGTH	100	100	100	100	100
CONVEYOR WEIGHT	100	100	100	100	100
CONVEYOR MATERIAL	100	100	100	100	100
CONVEYOR TYPE	100	100	100	100	100
CONVEYOR WIDTH	100	100	100	100	100
CONVEYOR LENGTH	100	100	100	100	100
CONVEYOR WEIGHT	100	100	100	100	100
CONVEYOR MATERIAL	100	100	100	100	100
CONVEYOR TYPE	100	100	100	100	100
CONVEYOR WIDTH	100	100	100	100	100
CONVEYOR LENGTH	100	100	100	100	100
CONVEYOR WEIGHT	100	100	100	100	100
CONVEYOR MATERIAL	100	100	100	100	100
CONVEYOR TYPE	100	100	100	100	100
CONVEYOR WIDTH	100	100	100	100	100
CONVEYOR LENGTH	100	100	100	100	100
CONVEYOR WEIGHT	100	100	100	100	100
CONVEYOR MATERIAL	100	100	100	100	100
CONVEYOR TYPE	100	100	100	100	100
CONVEYOR WIDTH	100	100	100	100	100
CONVEYOR LENGTH	100	100	100	100	100
CONVEYOR WEIGHT	100	100	100	100	100
CONVEYOR MATERIAL	100	100	100	100	100
CONVEYOR TYPE	100	100	100	100	100
CONVEYOR WIDTH	100	100	100	100	100
CONVEYOR LENGTH	100	100	100	100	100
CONVEYOR WEIGHT	100	100	100	100	100
CONVEYOR MATERIAL	100	100	100	100	100
CONVEYOR TYPE	100	100	100	100	100
CONVEYOR WIDTH	100	100	100	100	100
CONVEYOR LENGTH	100	100	100	100	100
CONVEYOR WEIGHT	100	100	100	100	100
CONVEYOR MATERIAL	100	100	100	100	100
CONVEYOR TYPE	100	100	100	100	100
CONVEYOR WIDTH	100	100	100	100	100
CONVEYOR LENGTH	100	100	100	100	100
CONVEYOR WEIGHT	100	100	100	100	100
CONVEYOR MATERIAL	100	100	100	100	100
CONVEYOR TYPE	100	100	100	100	100
CONVEYOR WIDTH	100	100	100	100	100
CONVEYOR LENGTH	100	100	100	100	100
CONVEYOR WEIGHT	100	100	100	100	100
CONVEYOR MATERIAL	100	100	100	100	100
CONVEYOR TYPE	100	100	100	100	100
CONVEYOR WIDTH	100	100	100	100	100
CONVEYOR LENGTH	100	100	100	100	100
CONVEYOR WEIGHT	100	100	100	100	100
CONVEYOR MATERIAL	100	100	100	100	100
CONVEYOR TYPE	100	100	100	100	100
CONVEYOR WIDTH	100	100	100	100	100
CONVEYOR LENGTH	100	100	100	100	100
CONVEYOR WEIGHT	100	100	100	100	100
CONVEYOR MATERIAL	100	100	100	100	100
CONVEYOR TYPE	100	100	100	100	100
CONVEYOR WIDTH	100	100	100	100	100
CONVEYOR LENGTH	100	100	100	100	100
CONVEYOR WEIGHT	100	100	100	100	100
CONVEYOR MATERIAL	100	100	100	100	100
CONVEYOR TYPE	100	100	100	100	100
CONVEYOR WIDTH	100	100	100	100	100
CONVEYOR LENGTH	100	100	100	100	100
CONVEYOR WEIGHT	100	100	100	100	100
CONVEYOR MATERIAL	100	100	100	100	100
CONVEYOR TYPE	100	100	100	100	100
CONVEYOR WIDTH	100	100	100	100	100
CONVEYOR LENGTH	100	100	100	100	100
CONVEYOR WEIGHT	100	100	100	100	100
CONVEYOR MATERIAL	100	100	100	100	100
CONVEYOR TYPE	100	100	100	100	100
CONVEYOR WIDTH	100	100	100	100	100
CONVEYOR LENGTH	100	100	100	100	100
CONVEYOR WEIGHT	100	100	100	100	100
CONVEYOR MATERIAL	100	100	100	100	100
CONVEYOR TYPE	100	100	100	100	100
CONVEYOR WIDTH	100	100	100	100	100
CONVEYOR LENGTH	100	100	100	100	100
CONVEYOR WEIGHT	100	100	100	100	100
CONVEYOR MATERIAL	100	100	100	100	100
CONVEYOR TYPE	100	100	100	100	100
CONVEYOR WIDTH	100	100	100	100	100
CONVEYOR LENGTH	100	100	100	100	100
CONVEYOR WEIGHT	100	100	100	100	100
CONVEYOR MATERIAL	100	100	100	100	100
CONVEYOR TYPE	100	100	100	100	100
CONVEYOR WIDTH	100	100	100	100	100
CONVEYOR LENGTH	100	100	100	100	100
CONVEYOR WEIGHT	100	100	100	100	100
CONVEYOR MATERIAL	100	100	100	100	100
CONVEYOR TYPE	100	100	100	100	100
CONVEYOR WIDTH	100	100	100	100	100
CONVEYOR LENGTH	100	100	100	100	100
CONVEYOR WEIGHT	100	100	100	100	100
CONVEYOR MATERIAL	100	100	100	100	100
CONVEYOR TYPE	100	100	100	100	100
CONVEYOR WIDTH	100	100	100	100	100
CONVEYOR LENGTH	100	100	100	100	100
CONVEYOR WEIGHT	100	100	100	100	100
CONVEYOR MATERIAL	100	100	100	100	100
CONVEYOR TYPE	100	100	100	100	100
CONVEYOR WIDTH	100	100	100	100	100
CONVEYOR LENGTH	100	100	100	100	100
CONVEYOR WEIGHT	100	100	100	100	100
CONVEYOR MATERIAL	100	100	100	100	100
CONVEYOR TYPE	100	100	100	100	100
CONVEYOR WIDTH	100	100	100	100	100
CONVEYOR LENGTH	100	100	100	100	100
CONVEYOR WEIGHT	100	100	100	100	100
CONVEYOR MATERIAL	100	100	100	100	100
CONVEYOR TYPE	100	100	100	100	100
CONVEYOR WIDTH	100	100	100	100	100
CONVEYOR LENGTH	100	100	100	100	100
CONVEYOR WEIGHT	100	100	100	100	100
CONVEYOR MATERIAL	100	100	100	100	100
CONVEYOR TYPE	100	100	100	100	100
CONVEYOR WIDTH	100	100	100	100	100
CONVEYOR LENGTH	100	100	100	100	100
CONVEYOR WEIGHT	100	100	100	100	100
CONVEYOR MATERIAL	100	100	100	100	100
CONVEYOR TYPE	100	100	100	100	100
CONVEYOR WIDTH	100	100	100	100	100
CONVEYOR LENGTH	100	100	100	100	100
CONVEYOR WEIGHT	100	100	100	100	100
CONVEYOR MATERIAL	100	100	100	100	100
CONVEYOR TYPE	100	100	100	100	100
CONVEYOR WIDTH	100	100	100	100	100
CONVEYOR LENGTH	100	100	100	100	100
CONVEYOR WEIGHT	100	100	100	100	100
CONVEYOR MATERIAL	100	100	100	100	100
CONVEYOR TYPE	100	100	100	100	100
CONVEYOR WIDTH	100	100	100	100	100
CONVEYOR LENGTH	100	100	100	100	100



- Data Analysis & Reporting** – Both the PDS and Vayeron tracking systems allow for the data collected to be analysed into useful information. Hot spots where rollers have been failing consistently compared to other nearby rollers can be identified and a possible solution formed. Scheduled roller change outs through predictive data analysis, allow for improved conveyor availability and simplified maintenance.

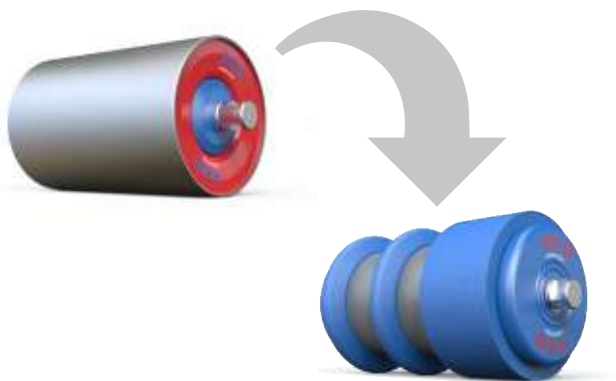


ROLLERS - COMPLETE AND NOT COMPLETE - LAST MONTH



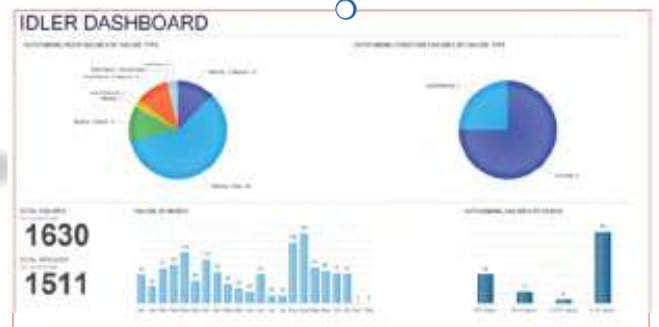
## Trouble Shooting & Product Improvements

RKM are available to provide trouble shooting assistance where required. Ideally RKM will be involved with any issues when they first arise as it not only reduces the time taken to resolve but it also allows rapid and accurate product development. Although some problems are a common occurrence, others require focused product development to arrive at an effective solution.



## Product Trials, Monitoring & Reporting

All product trials are supported by RKM personnel, who will monitor and report on the progress of the trial. It is important to have a predefined objective for the trial to ensure the outcomes can be measured - successful, not successful or further development required.



 **Reduces unplanned downtime**  
Improves inspections, planning, execution, and failure analysis.

 **Maximises Productivity**  
Data analysis enables improved prediction and management of idler failures.

 **Increase Profitability**  
Reduced unplanned downtime = Increased Productivity and Increased Profitability.

# UNDERGROUND STRUCTURE

Our factory is flexible and responsive to your needs. We design and manufacture all types of structure. Our world-class facilities and practices ensure a quality product is consistently manufactured.

## We are the Global Leaders for



**Quality**



**Innovation**



**Manufacturing**

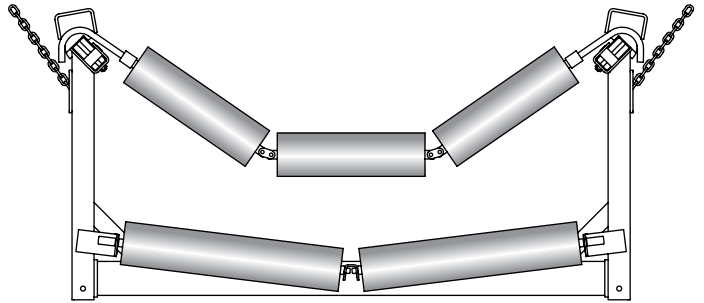
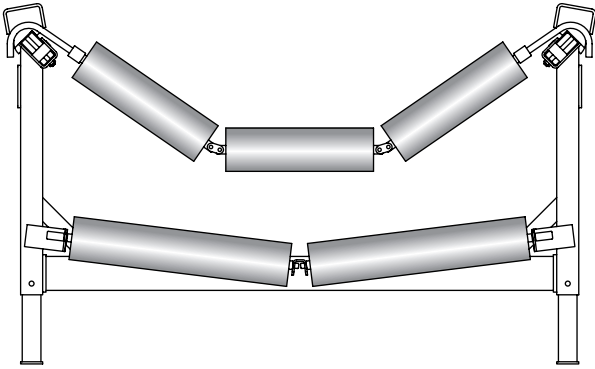


**Performance**



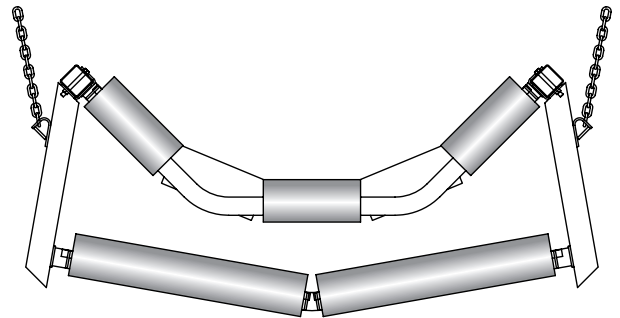
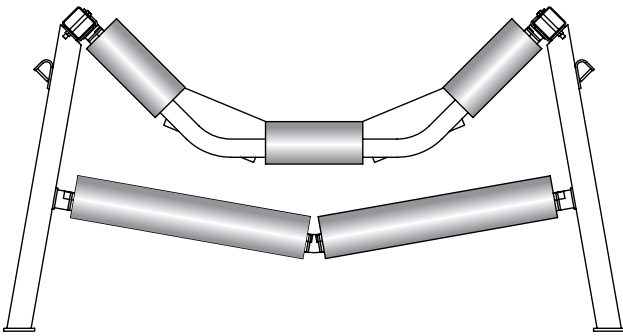
## MAINGATE

Floor Mounted | Roof Mounted | 2 Roll | 3 Roll | 4 Roll | 5 Roll | Galvanised



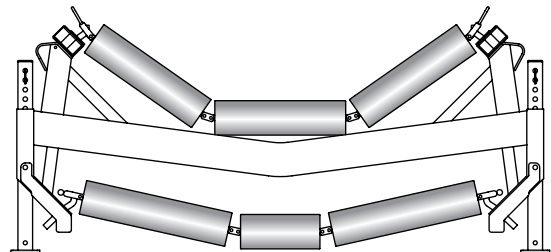
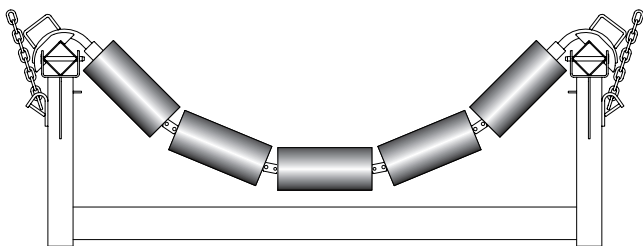
## TRUNK

Floor Mounted | Roof Mounted | 2 Roll | 3 Roll | 4 Roll | 5 Roll | Galvanised



## SPECIALS

Loop Take-up | Specialised | Floor Mounted | Roof Mounted  
2 Roll | 3 Roll | 4 Roll | 5 Roll | Galvanised

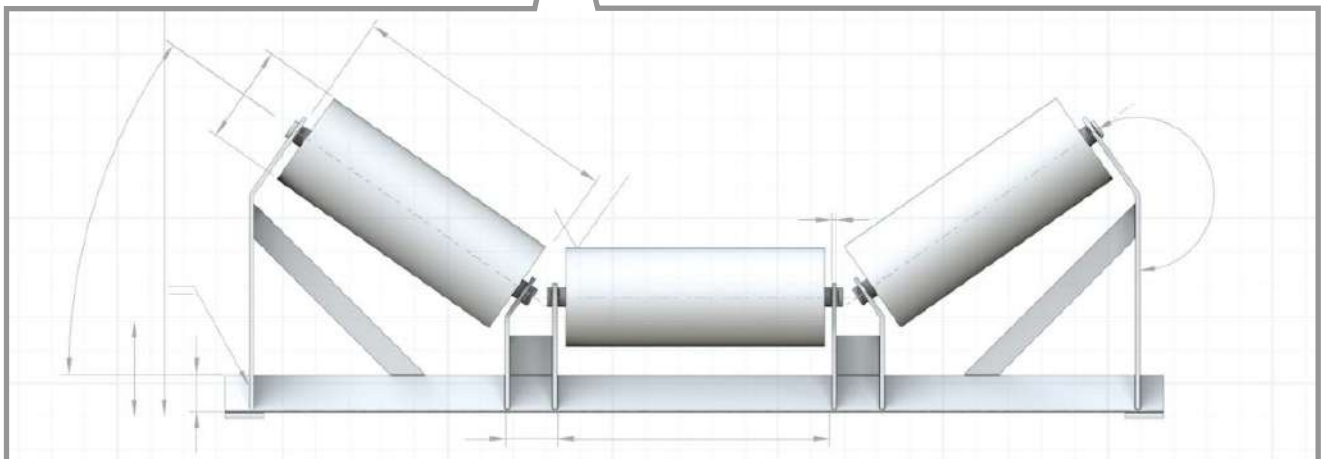
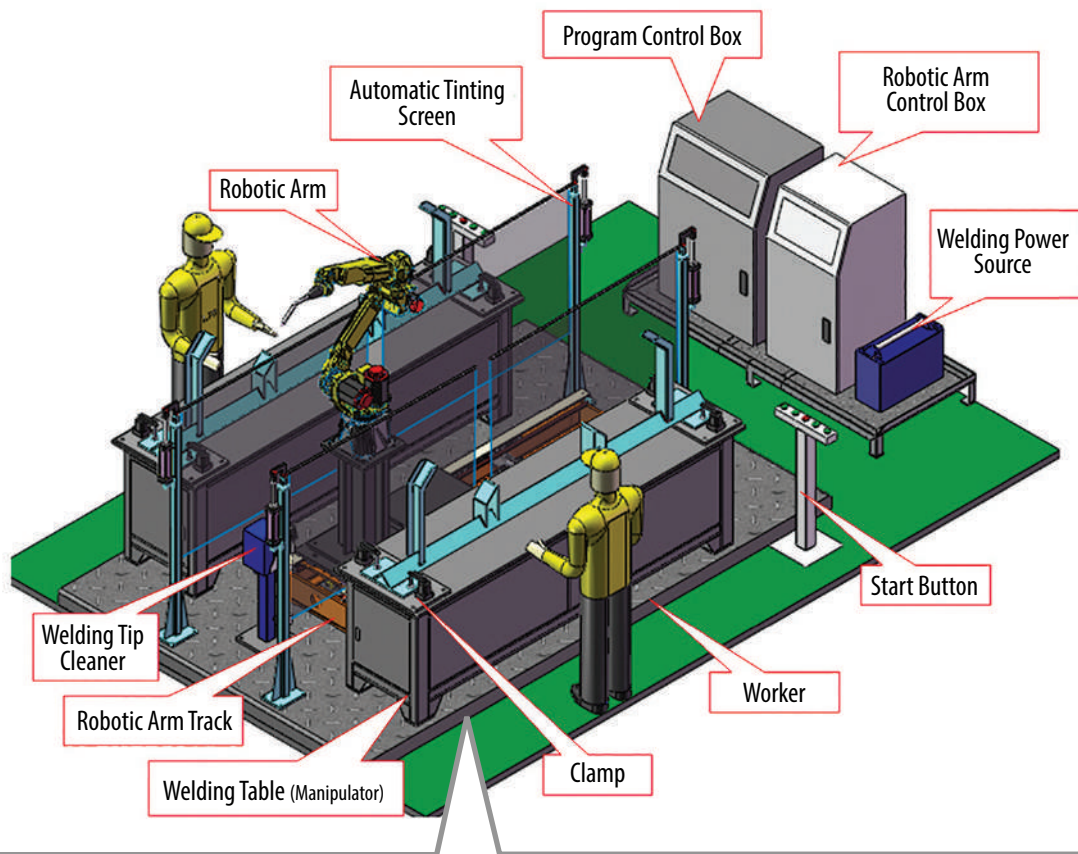


# IDLER FRAMES

We use the latest robotic welding technology as part of our commitment to ensuring a first-class weld is performed time after time. We conform to all international welding code specifications.

We use precision welding tables to assure our manufacturing tolerances are kept to the required standards, and that each jig is millimetre perfect. Our procedure also takes into account, the stress relieving process caused by the heat generated through the welding process, along with the stress caused by the hot dip galvanizing.

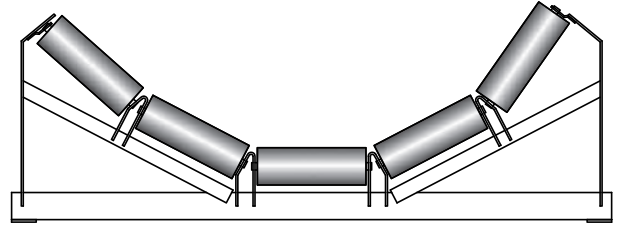
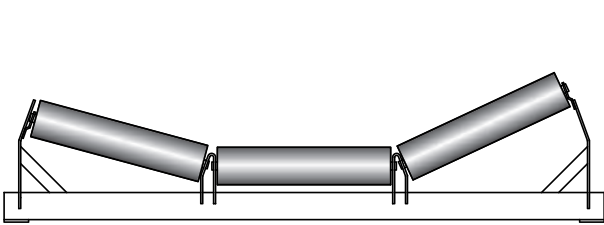
Steel is made to AS NZS-3679 or equivalent Asian standard. Jig welding of the base frames ensures slotted mounting brackets are accurately aligned. All frames and brackets are hot dip galvanised to AS NZS-4680, which gives effective resistance to a wide range of surface and underground environments.



# IDLER FRAME VARIATIONS

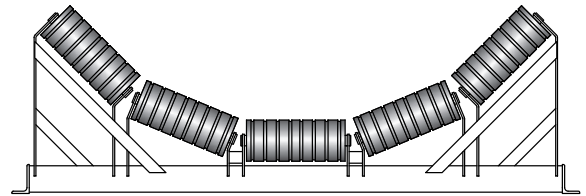
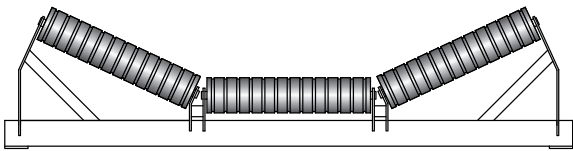
## TRANSITION

Inline | Offset | Angle Transom | Tubular Transom | 2 Roll | 3 Roll | 4 Roll  
5 Roll | 6 Roll | 10 Roll | Retractable | Galvanised | Stainless Steel



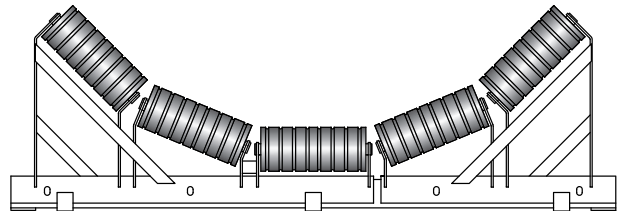
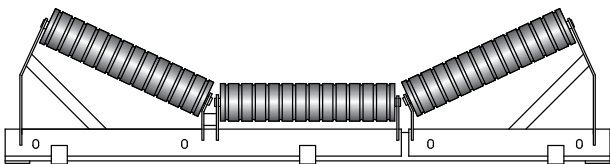
## IMPACT

Inline | Offset | Angle Transom | Tubular Transom | 2 Roll | 3 Roll | 4 Roll  
5 Roll | Galvanised | Stainless Steel



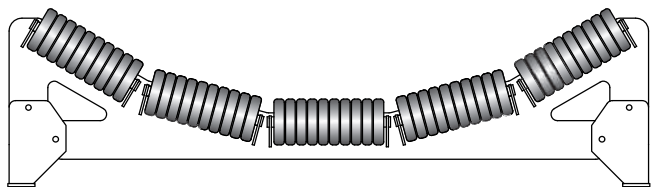
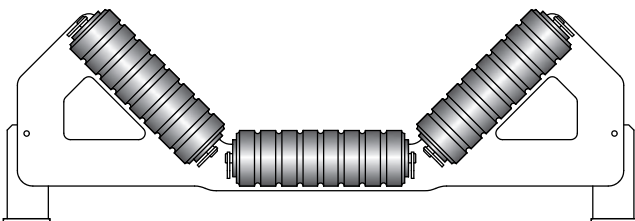
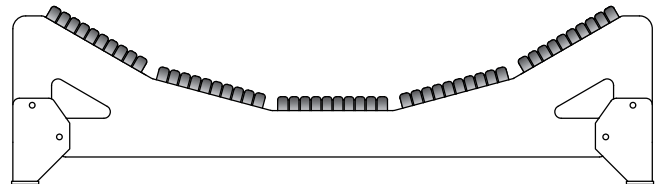
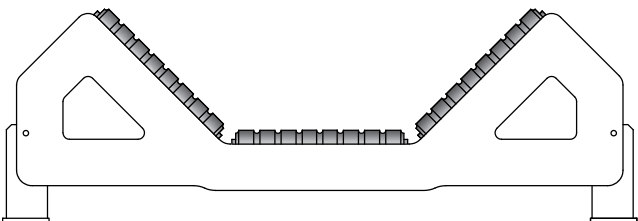
## RETRACTABLE IMPACT

Inline | Offset | Angle Transom | 2 Roll | 3 Roll | 4 Roll | 5 Roll  
Galvanised | Stainless Steel



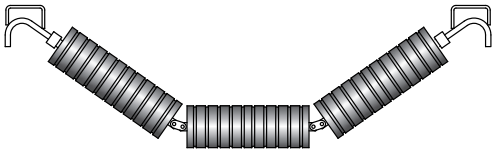
## DROP DOWN IMPACT

Inline | Offset | 3 Roll | 4 Roll | 5 Roll | 6 Roll | 10 Roll  
Galvanised | Stainless Steel



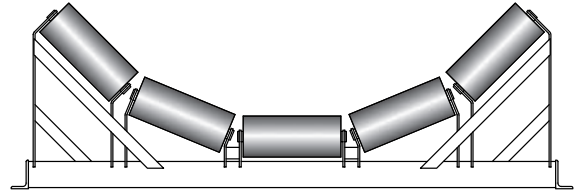
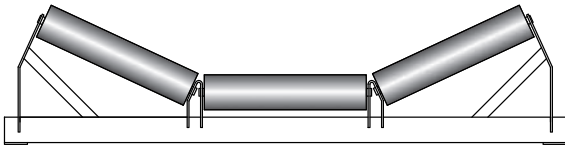
## SUSPENDED IMPACT

3 Roll | 4 Roll | 5 Roll | 6 Roll | Handles | Dampeners  
Galvanised | Stainless Steel



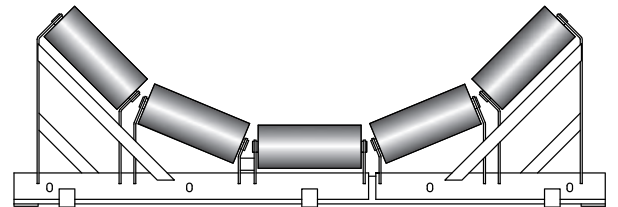
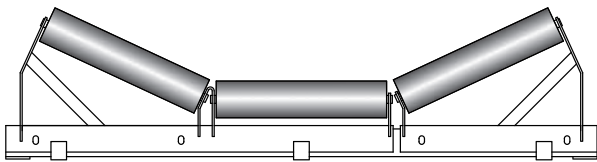
## TROUGH

Inline | Offset | Angle Transom | Tubular Transom | 2 Roll | 3 Roll | 4 Roll  
5 Roll | Galvanised | Stainless Steel



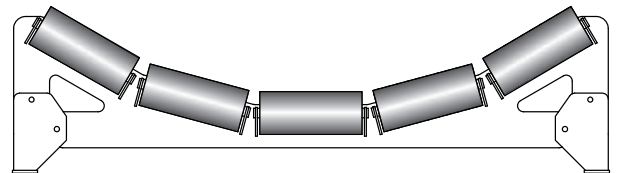
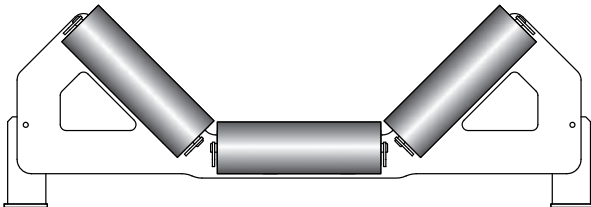
## RETRACTABLE TROUGH

Inline | Offset | Angle Transom | 2 Roll | 3 Roll | 4 Roll | 5 Roll  
Galvanised | Stainless Steel



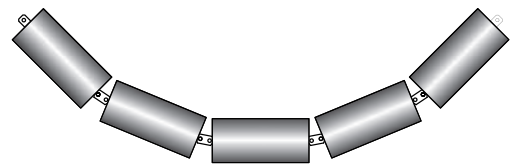
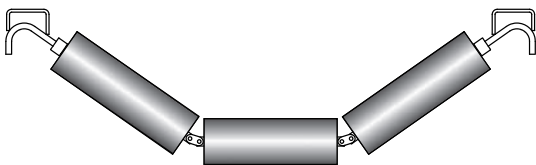
## DROP DOWN TROUGH

Inline | Offset | 3 Roll | 4 Roll | 5 Roll | 6 Roll | 10 Roll  
Galvanised | Stainless Steel



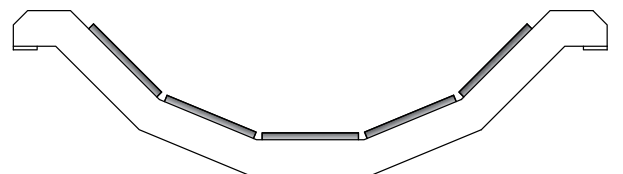
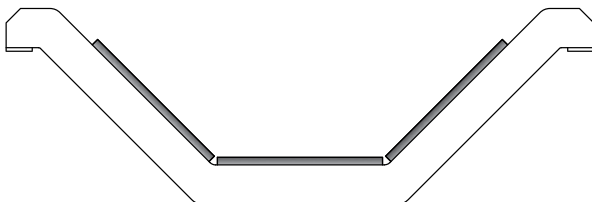
## SUSPENDED TROUGH

3 Roll | 4 Roll | 5 Roll | 6 Roll | Handles | Galvanised | Stainless Steel



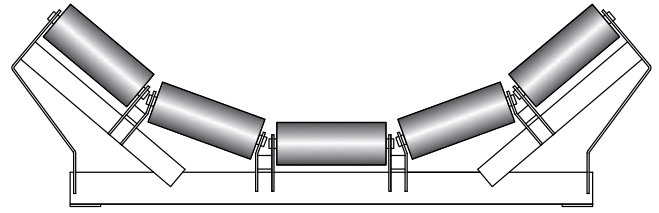
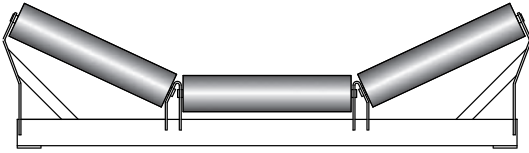
## RIGID SUSPENDED TROUGH

Inline | 3 Roll | 4 Roll | 5 Roll | Galvanised | Stainless Steel



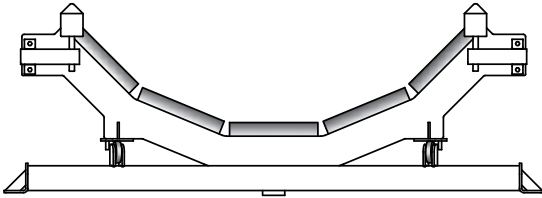
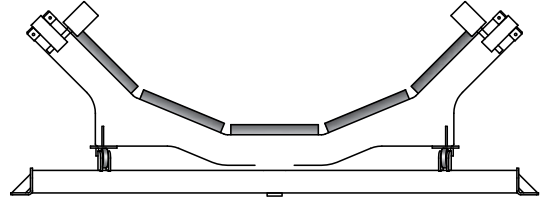
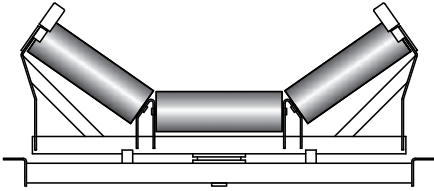
## WEIGH TROUGH

Inline | 3 Roll | 4 Roll | 5 Roll | Galvanised | Stainless Steel



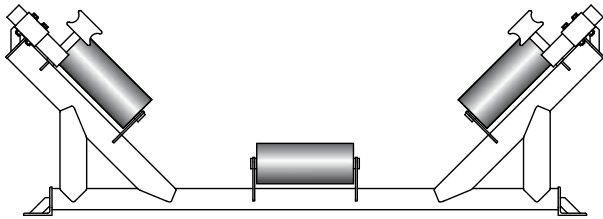
## TROUGH TRAINER – PIVOTING

Inline | Offset | Angle Transom | Tubular Transom | Heavy Duty Guide Rollers | 3 Roll | 4 Roll | 5 Roll | Galvanised | Stainless Steel



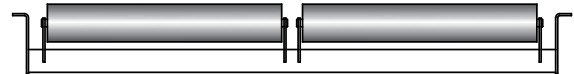
## TROUGH TRAINER – FIXED

Inline | Offset | Angle Transom | Tubular Transom | Heavy Duty Guide Rollers | 3 Roll | 4 Roll | 5 Roll | Galvanised | Stainless Steel



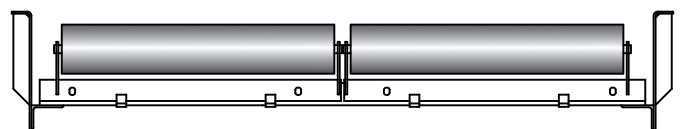
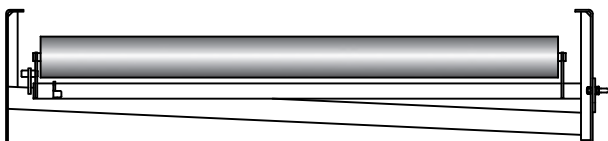
## FLAT RETURNS

Inline | Offset | Angle Transom | Tubular Transom | 1 Roll | 2 Roll | 3 Roll | 4 Roll | Galvanised | Stainless Steel



## FLAT RETURN RETRACTABLES

Inline | Offset | Angle Transom | 1 Roll | 2 Roll | 3 Roll | 4 Roll | Galvanised | Stainless Steel | Dropdown



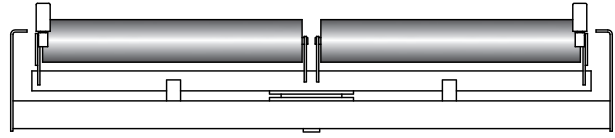
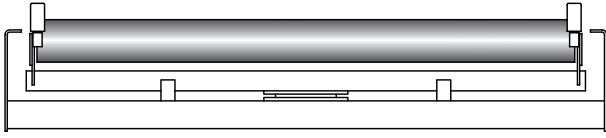
## FLAT RETURN SUSPENDED

1 Roll | Handles | Galvanised | Stainless Steel



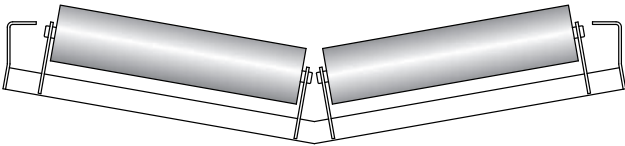
## FLAT RETURN TRAINER

Inline | Offset | Angle Transom | Tubular Transom | Heavy Duty  
Guide Rollers | 1 Roll | 2 Roll | 3 Roll | 4 Roll | Galvanised | Stainless Steel



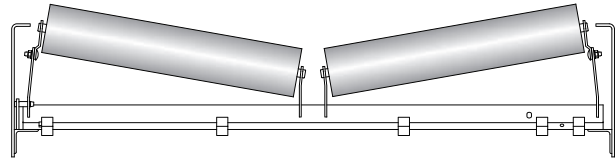
## VEE RETURN

Inline | Offset | Angle Transom | Tubular Transom  
2 Roll | 4 Roll Galvanised | Stainless Steel



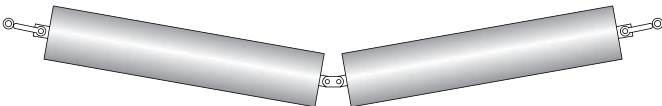
## VEE RETURN RETRACTABLE

Inline | Offset | Angle Transom | 2 Roll | 4 Roll  
Galvanised | Stainless Steel



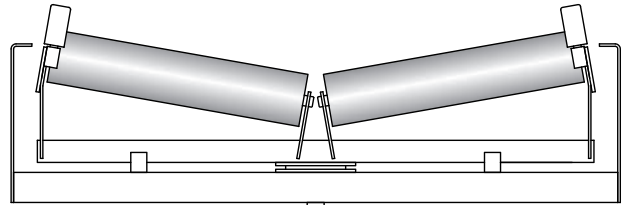
## VEE RETURN SUSPENDED

2 Roll | 4 Roll | Handles | Galvanised | Stainless Steel



## VEE RETURN TRAINER

Inline | Offset | Angle Transom | Tubular Transom  
Heavy Duty | Guide Rollers | 2 Roll | 4 Roll  
Galvanised | Stainless Steel



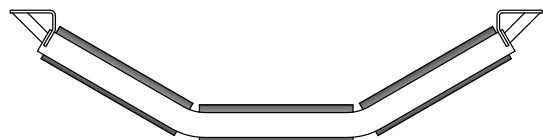
## INVERTED VEE RETURN TRAINER

Inline | Offset | Angle Transom | Tubular Transom  
2 Roll | 4 Roll | Galvanised | Stainless Steel



## TROUGH RETURN

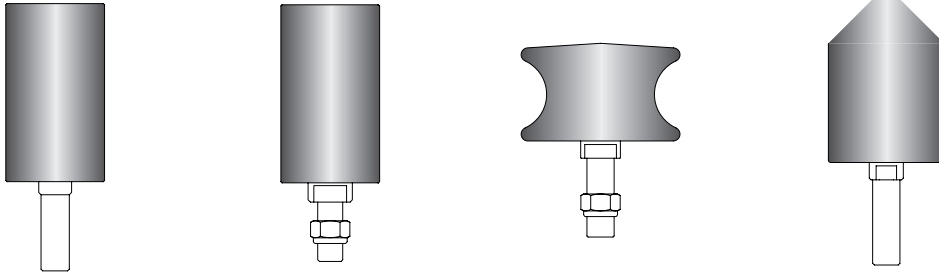
Inline | Offset | Angle Transom | Tubular Transom  
3 Roll | Retractable | Suspended | Galvanised | Stainless Steel



# ACCESSORIES

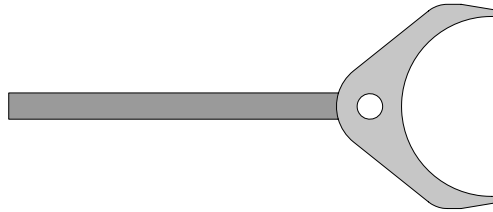
## GUIDE ROLLERS

STRAIGHT SHAFT | THREADED SHAFT | HEAVY DUTY | SPECIALISED



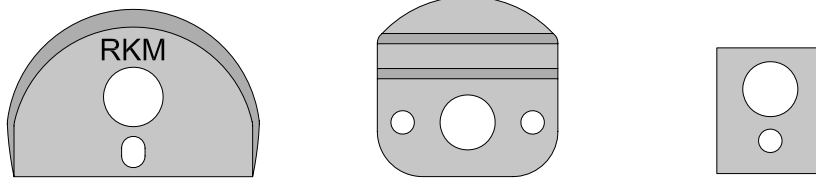
## ROLLER WEAR MEASUREMENT

DIA 114 | DIA 127 | DIA 152 | DIA 178 | SPECIALISED



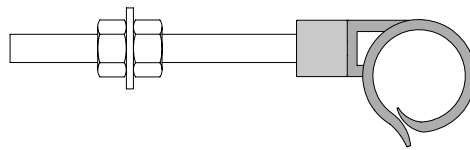
## STONE GUARDS & KEEPER PLATES

STANDARD | HEAVY DUTY | SPECIALISED



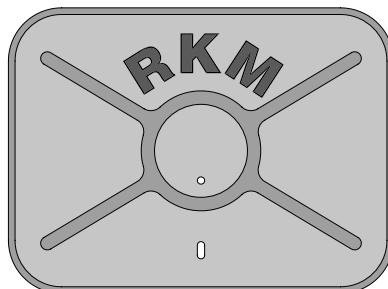
## LANYARD WIRE SUPPORT

STANDARD | SPECIALISED



## WIND GUARDS

LARGE | SMALL | SPECIALISED



# PRODUCT AVAILABILITY

## Stock Management

### • On-Site Stocking

- o RKM can provide consignment stock on-site, which is monitored and maintained by RKM personnel. All information collected is shared with the customer and products are only invoiced once removed from the con-stock area. RKM will assist with organising the appropriate storage and identification for the various products.
- o RKM can provide vendor managed stock to site, whereby the customer purchases and manages their own stock on-site. RKM will provide assistance storage and identification as required.

### • Australian and Global Warehouses

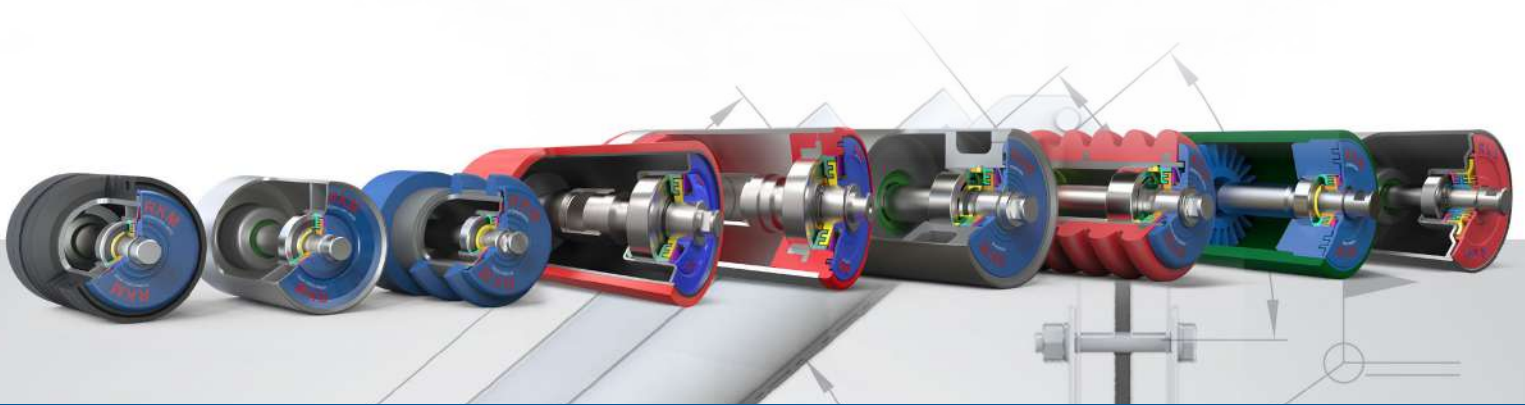
- o RKM has access to numerous warehouses located throughout the globe, where customer replenishment stock can be held.

### • China Warehouse

- o As well as global warehouses RKM can further reduce replenishment leads times with stocking products at our China warehouse. This removes manufacturing lead times and just leaves transportation lead times.







[www.rkmrollers.com.au](http://www.rkmrollers.com.au)



[sales@rkmrollers.com.au](mailto:sales@rkmrollers.com.au)



WA - 08 6558 1287  
NSW - 02 4964 9846



### Perth Manufacturing Facility

Unit 5, 5 Orchard Road  
Maddington WA 6109  
Australia

### Manufacturing Facility

No 1 Building,  
No. 4 Fazhan Road,  
Mowu Village  
Qishi Town, Dongguan City  
Guangdong China

