

Conveyor Belt Cleaners



TSGlobal[®]
Conveyor & Polyurethane Specialists



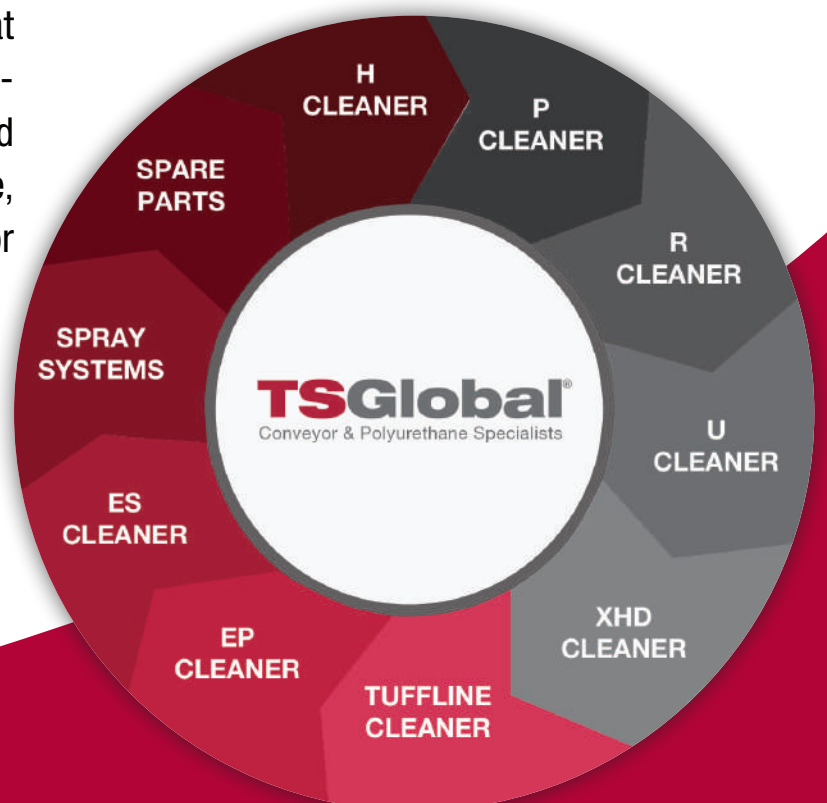
TSGlobal

Conveyor & Polyurethane Specialists

With more than two decades of experience, TS Global is a proudly Australian-owned company that specialises in producing a diverse array of premium-grade conveyor accessories and polyurethane components. We boast an exceptional team of engineers and manufacturers who possess the skills and expertise to create cutting-edge solutions that can withstand even the most challenging conditions.

Our suite of services encompasses everything from the design and fabrication of conveyor belt cleaners to the installation and maintenance of these systems. We are driven by a commitment to deliver products that are both high-performing and low-maintenance, resulting in improved plant availability, reduced downtime, and minimised maintenance costs for our valued clients.

-  Australian Owned
-  Proven Performance
-  Quality Product
-  Flexibility in Design
-  On-time Delivery



Selecting The Correct Belt Cleaner

When it comes to materials handling, the consistency and density of the conveyed materials can vary greatly. Each material has its own unique properties, so it's important to carefully consider which belt cleaning system will be the best fit for the job.

It's important to consider a set of standard principles when selecting a belt cleaning system:

- Is it possible to incorporate water into the cleaning process?
- How many cleaners can be installed within the chute?
- Does the belt require a pressure or stabilising roller to remain stable during cleaning?
- What is the condition of the belt and pulley lagging?
- Will the belt cleaning system interact with mechanical fasteners, or will the belt need to be permanently vulcanised?
- Is the cleaning system being installed in a corrosive environment, requiring the use of stainless steel?
- Are there any gussets or flanges obstructing the installation areas for the belt cleaner?
- Does the system need to accommodate reversing situations, heavy runback, or belt stretch?

WET CLEANING SYSTEMS

According to industry performance testing, a wet belt cleaning system consistently outperforms a dry system. That's why we highly recommend incorporating water wherever possible. The use of water helps reduce wear and tear on the cleaner components and conveyor belt, and also acts as a lubricant and dust suppressant within the transfer chute. We have provided a table below that outlines the various spray options available, as well as the volume of water added by a wet belt cleaning system.

SPRAY OPTIONS

Spray (Angle)	Spray Size	l/min. (gpm) at 50 PSI (3.4 bar)
110 degree fan	11006	2.4 (0.64)
110 degree fan	11008	3.2 (0.85)
110 degree fan	11010	3.9 (1.03)
110 degree fan	11015	5.9 (1.56)

Note: Figures above are per spray.



PRIMARY BELT CLEANERS

A primary belt cleaner's main objective is to remove the majority (up to 80%) of the fines at the discharge point of the conveyor. An effective primary belt cleaner will allow secondary belt cleaners to operate at the optimum levels to minimise carry-back, reducing maintenance and improving conveyor performance.

At TS Global, our primary belt cleaners are constructed using 304-grade stainless steel (316-grade is available upon request), and our product range consists of the following:

H Tungsten Belt Cleaner



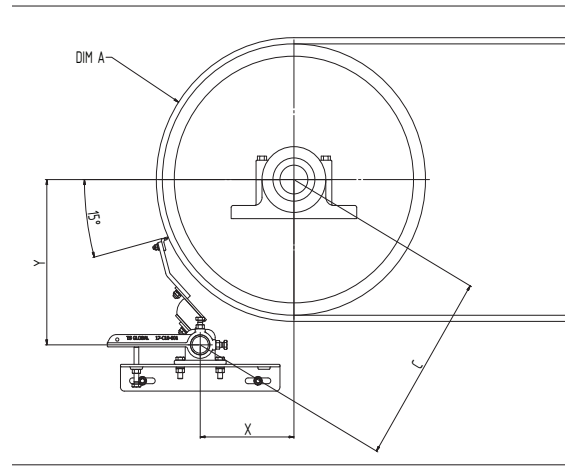
- Single or bi-directional conveyors
- Pulley diameter up to 1700mm (67")
- Belt speeds up to 8.0m/s (1575ft/min)
- Compatible with vulcanised belts only
- High cleaning performance
- Long-lasting tungsten

H Retractable Belt Cleaner



- Single or bi-directional conveyors
- Pulley diameter up to 1700mm (67")
- Belt speeds up to 8.0m/s (1575ft/min)
- Compatible with vulcanised belts only
- High cleaning performance
- Long-lasting tungsten
- Single or split cartridge options

DIM A = Pulley diameter including lagging & belt thickness mm (inches)	Recommended Arm Size
250mm to 500mm (10 to 20)	SS
500mm to 800mm (20 to 32)	S
800mm to 1000mm (32 to 39)	M
1000mm to 1200mm (39 to 47)	L
1200mm to 1700mm (47 to 67)	LL



SS Arms for Head Pulley Diameters up to 500mm (19¹¹/₁₆ inches)

∅	X	Y	C	Gap
250 (9 ⁷ / ₈)	35 (1 ³ / ₈)	299 (11 ³ / ₄)	302 (11 ⁷ / ₈)	62 (2 ¹ / ₂)
275 (10 ⁷ / ₈)	47 (1 ⁷ / ₈)	303 (11 ⁷ / ₈)	306 (12)	57 (2 ¹ / ₄)
300 (11 ³ / ₄)	60 (2 ³ / ₈)	306 (12)	312 (12 ¹ / ₄)	53 (2 ¹ / ₈)
325 (12 ³ / ₄)	72 (2 ⁷ / ₈)	309 (12 ¹ / ₈)	317 (12 ¹ / ₂)	49 (1 ⁷ / ₈)
350 (13 ³ / ₄)	84 (3 ¹ / ₄)	312 (12 ¹ / ₄)	323 (12 ³ / ₄)	45 (1 ³ / ₄)
375 (14 ³ / ₄)	96 (3 ³ / ₄)	316 (12 ³ / ₈)	330 (13)	42 (1 ⁵ / ₈)
400 (15 ³ / ₄)	108 (4 ¹ / ₄)	319 (12 ¹ / ₂)	337 (13 ¹ / ₄)	39 (1 ¹ / ₂)
425 (16 ³ / ₄)	120 (4 ³ / ₄)	322 (12 ⁵ / ₈)	344 (13 ¹ / ₂)	36 (1 ³ / ₈)
450 (17 ³ / ₄)	132 (5 ¹ / ₄)	325 (12 ³ / ₄)	351 (13 ⁷ / ₈)	33 (1 ¹ / ₄)
475 (18 ³ / ₄)	144 (5 ⁵ / ₈)	329 (12 ⁷ / ₈)	359 (14 ¹ / ₈)	31 (1 ¹ / ₄)
500 (19 ⁵ / ₈)	156 (6 ¹ / ₈)	332 (13)	367 (14 ³ / ₈)	29 (1 ¹ / ₈)

S Arms for Head Pulley Diameters 500mm (19¹¹/₁₆ inches) - 800mm (31¹/₂ inches)

∅	X	Y	C	Gap
500 (19 ⁵ / ₈)	129 (5 ¹ / ₈)	378 (14 ⁷ / ₈)	400 (15 ³ / ₄)	53 (2 ⁵ / ₈)
525 (20 ⁵ / ₈)	141 (5 ¹ / ₂)	381 (15)	407 (16)	50 (2 ¹ / ₂)
550 (21 ⁵ / ₈)	153 (6)	385 (15 ¹ / ₈)	414 (16 ¹ / ₄)	47 (2 ³ / ₈)
575 (22 ⁵ / ₈)	165 (6 ¹ / ₂)	388 (15 ¹ / ₄)	422 (16 ⁵ / ₈)	44 (2 ¹ / ₄)
600 (23 ⁵ / ₈)	177 (7)	391 (15 ³ / ₈)	429 (16 ⁷ / ₈)	41 (2 ¹ / ₄)
625 (24 ⁵ / ₈)	189 (7 ¹ / ₂)	394 (15 ¹ / ₂)	437 (17 ¹ / ₄)	39 (2 ¹ / ₈)
650 (25 ⁵ / ₈)	201 (7 ⁷ / ₈)	398 (15 ⁵ / ₈)	446 (17 ¹ / ₂)	37 (2)
675 (26 ⁵ / ₈)	214 (8 ³ / ₈)	401 (15 ³ / ₄)	454 (17 ⁷ / ₈)	35 (2)
700 (27 ¹ / ₂)	226 (8 ⁷ / ₈)	404 (15 ⁷ / ₈)	463 (18 ¹ / ₄)	33 (1 ⁷ / ₈)
725 (28 ¹ / ₂)	238 (9 ³ / ₈)	407 (16)	472 (18 ⁵ / ₈)	31 (1 ⁷ / ₈)
750 (29 ¹ / ₂)	250 (9 ⁷ / ₈)	410 (16 ¹ / ₈)	480 (18 ⁷ / ₈)	29 (1 ³ / ₄)
775 (30 ¹ / ₂)	262 (10 ¹ / ₄)	414 (16 ¹ / ₄)	490 (19 ¹ / ₄)	27 (1 ⁵ / ₈)
800 (31 ¹ / ₂)	274 (10 ³ / ₄)	417 (16 ³ / ₈)	499 (19 ⁵ / ₈)	26 (1 ⁵ / ₈)

M Arms for Head Pulley Diameters
800mm (31¹/₂ inches) - 1000mm (39³/₈ inches)

Ø	X	Y	C	Gap
800 (31 ¹ / ₂)	255 (10)	467 (18 ³ / ₈)	533 (21)	50 (2)
825 (32 ¹ / ₂)	267 (10 ¹ / ₂)	471 (18 ¹ / ₂)	541 (21 ¹ / ₄)	48 (1 ⁷ / ₈)
850 (33 ¹ / ₂)	279 (11)	474 (18 ⁵ / ₈)	550 (21 ⁵ / ₈)	45 (1 ³ / ₄)
875 (34 ¹ / ₂)	291 (11 ¹ / ₂)	477 (18 ³ / ₄)	559 (22)	43 (1 ³ / ₄)
900 (35 ³ / ₈)	303 (12)	480 (18 ⁷ / ₈)	568 (22 ³ / ₈)	42 (1 ⁵ / ₈)
925 (36 ³ / ₈)	316 (12 ³ / ₈)	484 (19)	577 (22 ³ / ₄)	40 (1 ⁵ / ₈)
950 (37 ³ / ₈)	328 (12 ⁷ / ₈)	487 (19 ¹ / ₈)	587 (23 ¹ / ₈)	38 (1 ¹ / ₂)
975 (38 ³ / ₈)	340 (13 ³ / ₈)	490 (19 ¹ / ₄)	596 (23 ¹ / ₂)	36 (1 ³ / ₈)
1000 (39 ³ / ₈)	352 (13 ⁷ / ₈)	493 (19 ³ / ₈)	606 (23 ⁷ / ₈)	35 (1 ³ / ₈)

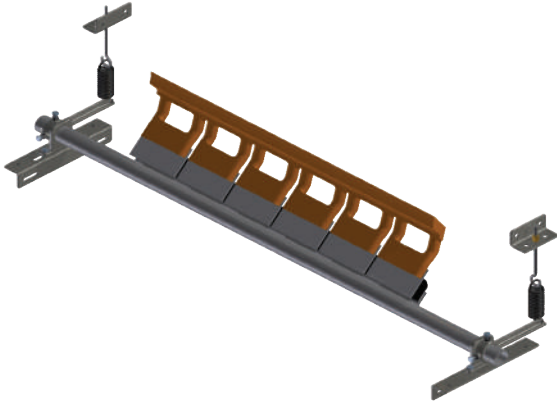
L Arms for Head Pulley Diameters
1000mm (39³/₈ inches) - 1200mm (47¹/₄ inches)

Ø	X	Y	C	Gap
1000 (39 ³ / ₈)	327 (12 ⁷ / ₈)	518 (20 ³ / ₈)	613 (24 ¹ / ₈)	67 (2 ⁵ / ₈)
1025 (40 ³ / ₈)	339 (13 ³ / ₈)	521 (20 ¹ / ₂)	622 (24 ¹ / ₂)	65 (2 ¹ / ₂)
1050 (41 ³ / ₈)	351 (13 ⁷ / ₈)	525 (20 ⁵ / ₈)	631 (24 ⁷ / ₈)	63 (2 ¹ / ₂)
1075 (42 ³ / ₈)	363 (14 ¹ / ₄)	528 (20 ³ / ₄)	641 (25 ¹ / ₄)	62 (2 ³ / ₈)
1100 (43 ¹ / ₄)	375 (14 ³ / ₄)	531 (20 ⁷ / ₈)	650 (25 ⁵ / ₈)	60 (2 ³ / ₈)
1125 (44 ¹ / ₄)	387 (15 ¹ / ₄)	534 (21)	660 (26)	59 (2 ¹ / ₄)
1150 (45 ¹ / ₄)	399 (15 ³ / ₄)	538 (21 ¹ / ₈)	670 (26 ³ / ₈)	57 (2 ¹ / ₄)
1175 (46 ¹ / ₄)	412 (16 ¹ / ₄)	541 (21 ¹ / ₄)	680 (26 ³ / ₄)	56 (2 ¹ / ₄)
1200 (47 ¹ / ₄)	424 (16 ⁵ / ₈)	544 (21 ³ / ₈)	689 (27 ¹ / ₈)	54 (2 ¹ / ₈)

LL Arms for Head Pulley Diameters 1200mm (47¹/₄ inches)
- 1700mm (66¹⁵/₁₆ inches)

Ø	X	Y	C	Gap
1200 (47 ¹ / ₄)	416 (16 ³ / ₈)	650 (25 ⁵ / ₈)	771 (30 ³ / ₈)	79 (3 ¹ / ₈)
1225 (48 ¹ / ₄)	428 (16 ⁷ / ₈)	653 (25 ³ / ₄)	781 (30 ³ / ₄)	76 (3)
1250 (49 ¹ / ₄)	440 (17 ³ / ₈)	656 (25 ⁷ / ₈)	790 (31 ¹ / ₈)	74 (2 ⁷ / ₈)
1275 (50 ¹ / ₄)	452 (17 ³ / ₄)	659 (26)	799 (31 ¹ / ₂)	72 (2 ⁷ / ₈)
1300 (51 ¹ / ₈)	464 (18 ¹ / ₄)	663 (26 ¹ / ₈)	809 (31 ⁷ / ₈)	70 (2 ³ / ₄)
1325 (52 ¹ / ₈)	476 (18 ³ / ₄)	666 (26 ¹ / ₄)	818 (32 ¹ / ₄)	68 (2 ⁵ / ₈)
1350 (53 ¹ / ₈)	488 (19 ¹ / ₄)	669 (26 ³ / ₈)	828 (32 ⁵ / ₈)	66 (2 ⁵ / ₈)
1375 (54 ¹ / ₈)	500 (19 ³ / ₄)	672 (26 ¹ / ₂)	838 (33)	64 (2 ¹ / ₂)
1400 (55 ¹ / ₈)	512 (20 ¹ / ₈)	676 (26 ⁵ / ₈)	848 (33 ³ / ₈)	62 (2 ¹ / ₂)
1425 (56 ¹ / ₈)	524 (20 ⁵ / ₈)	679 (26 ³ / ₄)	858 (33 ³ / ₄)	61 (2 ³ / ₈)
1450 (57 ¹ / ₈)	536 (21 ¹ / ₈)	682 (26 ⁷ / ₈)	868 (34 ¹ / ₈)	59 (2 ³ / ₈)
1475 (58 ¹ / ₈)	548 (21 ⁵ / ₈)	685 (27)	878 (34 ¹ / ₂)	57 (2 ¹ / ₄)
1500 (59)	560 (22 ¹ / ₈)	689 (27 ¹ / ₈)	888 (35)	56 (2 ¹ / ₈)
1525 (60)	573 (22 ¹ / ₂)	692 (27 ¹ / ₄)	898 (35 ³ / ₈)	54 (2 ¹ / ₈)
1550 (61)	585 (23)	695 (27 ³ / ₈)	908 (35 ³ / ₄)	52 (2 ¹ / ₈)
1575 (62)	597 (23 ¹ / ₂)	698 (27 ¹ / ₂)	918 (36 ¹ / ₈)	51 (2)
1600 (63)	609 (24)	701 (27 ⁵ / ₈)	929 (36 ⁵ / ₈)	49 (2)
1625 (64)	621 (24 ¹ / ₂)	705 (27 ³ / ₄)	939 (37)	48 (1 ⁷ / ₈)
1650 (65)	633 (24 ⁷ / ₈)	708 (27 ⁷ / ₈)	950 (37 ³ / ₈)	47 (1 ⁷ / ₈)
1675 (66)	645 (25 ³ / ₈)	711 (28)	960 (37 ³ / ₄)	45 (1 ³ / ₄)
1700 (66 ⁷ / ₈)	657 (25 ⁷ / ₈)	714 (28 ¹ / ₈)	971 (38 ¹ / ₄)	44 (1 ³ / ₄)

H Polyurethane Belt Cleaner



- Single or bi-directional conveyors
- Worn or damaged covers
- Pulley diameter up to 1200mm (47")
- Belt speed up to 5.5m/s (1100ft/min)
- Vulcanised or clipped conveyor belts
- Available with retractable cartridge

SS Arms for Head Pulley Diameters up to 500mm (19¹¹/₁₆ inches)

∅	X	Y	C	Gap
250 (9 ⁷ / ₈)	51 (2)	280 (11)	285 (11 ¹ / ₄)	47 (1 ⁷ / ₈)
275 (10 ⁷ / ₈)	64 (2 ¹ / ₂)	284 (11 ¹ / ₈)	291 (11 ¹ / ₂)	45 (1 ³ / ₄)
300 (11 ³ / ₄)	76 (3)	287 (11 ¹ / ₄)	297 (11 ³ / ₄)	42 (1 ⁵ / ₈)
325 (12 ³ / ₄)	89 (3 ¹ / ₂)	291 (11 ¹ / ₂)	304 (12)	40 (1 ⁵ / ₈)
350 (13 ³ / ₄)	102 (4)	294 (11 ⁵ / ₈)	311 (12 ¹ / ₄)	38 (1 ¹ / ₂)
375 (14 ³ / ₄)	114 (4 ¹ / ₂)	297 (11 ³ / ₄)	319 (12 ¹ / ₂)	36 (1 ³ / ₈)
400 (15 ³ / ₄)	127 (5)	301 (11 ⁷ / ₈)	326 (12 ⁷ / ₈)	34 (1 ³ / ₈)
425 (16 ³ / ₄)	139 (5 ¹ / ₂)	304 (12)	335 (13 ¹ / ₈)	33 (1 ¹ / ₄)
450 (17 ³ / ₄)	152 (6)	307 (12 ¹ / ₈)	343 (13 ¹ / ₂)	32 (1 ¹ / ₄)
475 (18 ³ / ₄)	164 (6 ¹ / ₂)	311 (12 ¹ / ₄)	351 (13 ⁷ / ₈)	30 (1 ¹ / ₄)
500 (19 ⁵ / ₈)	176 (7)	314 (12 ³ / ₈)	360 (14 ¹ / ₈)	29 (1 ¹ / ₈)

S Arms for Head Pulley Diameters 500mm (19¹¹/₁₆ inches) - 800mm (31¹/₂ inches)

∅	X	Y	C	Gap
500 (19 ⁵ / ₈)	162 (6 ³ / ₈)	375 (14 ³ / ₄)	409 (16 ¹ / ₈)	60 (2 ³ / ₈)
525 (20 ⁵ / ₈)	174 (6 ⁷ / ₈)	379 (14 ⁷ / ₈)	417 (16 ³ / ₈)	57 (2 ¹ / ₄)
550 (21 ⁵ / ₈)	187 (7 ³ / ₈)	382 (15)	425 (16 ³ / ₄)	55 (2 ¹ / ₈)
575 (22 ⁵ / ₈)	199 (7 ⁷ / ₈)	385 (15 ¹ / ₈)	434 (17 ¹ / ₈)	53 (2 ¹ / ₈)
600 (23 ⁵ / ₈)	211 (8 ³ / ₈)	389 (15 ¹ / ₄)	442 (17 ³ / ₈)	51 (2)
625 (24 ⁵ / ₈)	223 (8 ³ / ₄)	392 (15 ³ / ₈)	451 (17 ³ / ₄)	50 (2)
650 (25 ⁵ / ₈)	236 (9 ¹ / ₄)	395 (15 ¹ / ₂)	460 (18 ¹ / ₈)	48 (1 ⁷ / ₈)
675 (26 ⁵ / ₈)	248 (9 ³ / ₄)	398 (15 ⁵ / ₈)	469 (18 ¹ / ₂)	47 (1 ⁷ / ₈)
700 (27 ¹ / ₂)	260 (10 ¹ / ₄)	402 (15 ⁷ / ₈)	478 (18 ⁷ / ₈)	45 (1 ³ / ₄)
725 (28 ¹ / ₂)	272 (10 ³ / ₄)	405 (16)	488 (19 ¹ / ₄)	44 (1 ³ / ₄)
750 (29 ¹ / ₂)	284 (11 ¹ / ₄)	408 (16 ¹ / ₈)	497 (19 ⁵ / ₈)	43 (1 ⁵ / ₈)
775 (30 ¹ / ₂)	297 (11 ⁵ / ₈)	411 (16 ¹ / ₄)	507 (20)	41 (1 ⁵ / ₈)
800 (31 ¹ / ₂)	309 (12 ¹ / ₈)	415 (16 ³ / ₈)	517 (20 ³ / ₈)	40 (1 ⁵ / ₈)

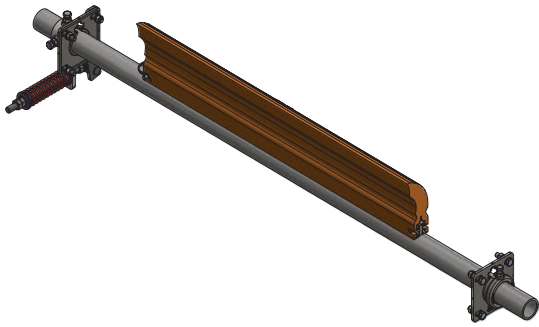
M Arms for Head Pulley Diameters 800mm (31¹/₂ inches) - 1000mm (39³/₈ inches)

∅	X	Y	C	Gap
800 (31 ¹ / ₂)	298 (11 ³ / ₄)	453 (17 ⁷ / ₈)	543 (21 ³ / ₈)	59 (2 ¹ / ₄)
825 (32 ¹ / ₂)	311 (12 ¹ / ₄)	457 (18)	552 (21 ³ / ₄)	57 (2 ¹ / ₄)
850 (33 ¹ / ₂)	323 (12 ³ / ₄)	460 (18 ¹ / ₈)	562 (22 ¹ / ₈)	56 (2 ¹ / ₄)
875 (34 ¹ / ₂)	335 (13 ¹ / ₈)	463 (18 ¹ / ₄)	571 (22 ¹ / ₂)	54 (2 ¹ / ₈)
900 (35 ³ / ₈)	347 (13 ⁵ / ₈)	466 (18 ³ / ₈)	581 (22 ⁷ / ₈)	53 (2 ¹ / ₈)
925 (36 ³ / ₈)	359 (14 ¹ / ₈)	470 (18 ¹ / ₂)	591 (23 ¹ / ₄)	52 (2)
950 (37 ³ / ₈)	371 (14 ⁵ / ₈)	473 (18 ⁵ / ₈)	601 (23 ⁵ / ₈)	51 (2)
975 (38 ³ / ₈)	383 (15 ¹ / ₈)	476 (18 ³ / ₄)	611 (24 ¹ / ₈)	50 (2)
1000 (39 ³ / ₈)	396 (15 ⁵ / ₈)	479 (18 ⁷ / ₈)	621 (24 ¹ / ₂)	48 (1 ⁷ / ₈)

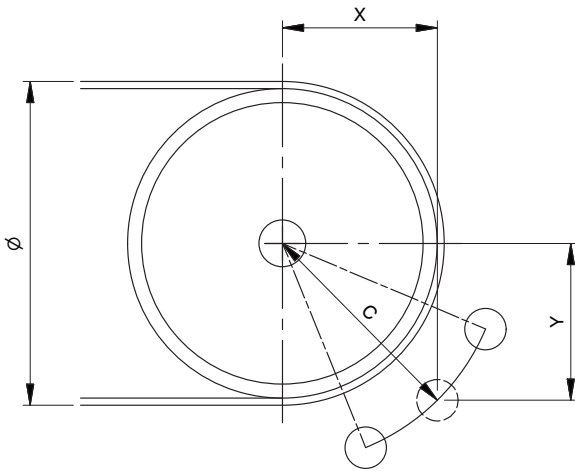
L Arms for Head Pulley Diameters
1000mm (39³/₈ inches) - 1700mm (66¹⁵/₁₆ inches)

Ø	X	Y	C	Gap
1000 (39 ³ / ₈)	391 (15 ³ / ₈)	509 (20)	642 (25 ¹ / ₄)	59 (2 ³ / ₈)
1025 (40 ³ / ₈)	403 (15 ⁷ / ₈)	512 (20 ¹ / ₈)	652 (25 ⁵ / ₈)	58 (2 ¹ / ₄)
1050 (41 ³ / ₈)	415 (16 ³ / ₈)	516 (20 ¹ / ₄)	662 (26 ¹ / ₈)	57 (2 ¹ / ₄)
1075 (42 ³ / ₈)	428 (16 ⁷ / ₈)	519 (20 ³ / ₈)	672 (26 ¹ / ₂)	55 (2 ¹ / ₈)
1100 (43 ¹ / ₄)	440 (17 ¹ / ₄)	522 (20 ¹ / ₂)	683 (26 ⁷ / ₈)	54 (2 ¹ / ₈)
1125 (44 ¹ / ₄)	452 (17 ³ / ₄)	525 (20 ³ / ₄)	693 (27 ¹ / ₄)	53 (2 ¹ / ₈)
1150 (45 ¹ / ₄)	464 (18 ¹ / ₄)	529 (20 ⁷ / ₈)	703 (27 ³ / ₄)	52 (2)
1175 (46 ¹ / ₄)	476 (18 ³ / ₄)	532 (21)	714 (28 ¹ / ₈)	51 (2)
1200 (47 ¹ / ₄)	488 (19 ¹ / ₄)	535 (21 ¹ / ₈)	724 (28 ¹ / ₂)	50 (2)
1225 (48 ¹ / ₄)	500 (19 ³ / ₄)	538 (21 ¹ / ₄)	735 (28 ⁷ / ₈)	49 (1 ⁷ / ₈)
1250 (49 ¹ / ₄)	512 (20 ¹ / ₈)	542 (21 ³ / ₈)	746 (29 ³ / ₈)	48 (1 ⁷ / ₈)
1275 (50 ¹ / ₄)	524 (20 ⁵ / ₈)	545 (21 ¹ / ₂)	756 (29 ³ / ₄)	47 (1 ⁷ / ₈)
1300 (51 ¹ / ₈)	537 (21 ¹ / ₈)	548 (21 ⁵ / ₈)	767 (30 ¹ / ₄)	46 (1 ⁷ / ₈)
1325 (52 ¹ / ₈)	549 (21 ⁵ / ₈)	551 (21 ³ / ₄)	778 (30 ⁵ / ₈)	45 (1 ³ / ₄)
1350 (53 ¹ / ₈)	561 (22 ¹ / ₈)	555 (21 ⁷ / ₈)	789 (31)	45 (1 ³ / ₄)
1375 (54 ¹ / ₈)	573 (22 ¹ / ₂)	558 (22)	800 (31 ¹ / ₂)	44 (1 ³ / ₄)
1400 (55 ¹ / ₈)	585 (23)	561 (22 ¹ / ₈)	811 (31 ⁷ / ₈)	43 (1 ³ / ₄)
1425 (56 ¹ / ₈)	597 (23 ¹ / ₂)	564 (22 ¹ / ₄)	822 (32 ³ / ₈)	42 (1 ⁵ / ₈)
1450 (57 ¹ / ₈)	609 (24)	568 (22 ³ / ₈)	833 (32 ³ / ₄)	42 (1 ⁵ / ₈)
1475 (58 ¹ / ₈)	621 (24 ¹ / ₂)	571 (22 ¹ / ₂)	844 (33 ¹ / ₄)	41 (1 ⁵ / ₈)
1500 (59)	633 (25)	574 (22 ⁵ / ₈)	855 (33 ⁵ / ₈)	40 (1 ⁵ / ₈)
1525 (60)	646 (25 ³ / ₈)	577 (22 ³ / ₄)	866 (34 ¹ / ₈)	40 (1 ¹ / ₂)
1550 (61)	658 (25 ⁷ / ₈)	581 (22 ⁷ / ₈)	877 (34 ¹ / ₂)	39 (1 ¹ / ₂)
1575 (62)	670 (26 ³ / ₈)	584 (23)	889 (35)	38 (1 ¹ / ₂)
1600 (63)	682 (26 ⁷ / ₈)	587 (23 ¹ / ₈)	900 (35 ³ / ₈)	38 (1 ¹ / ₂)
1625 (64)	694 (27 ³ / ₈)	590 (23 ¹ / ₄)	911 (35 ⁷ / ₈)	37 (1 ¹ / ₂)
1650 (65)	706 (27 ³ / ₄)	594 (23 ³ / ₈)	922 (36 ³ / ₈)	37 (1 ¹ / ₂)
1675 (66)	718 (28 ¹ / ₄)	597 (23 ¹ / ₂)	934 (36 ³ / ₄)	36 (1 ³ / ₈)
1700 (66 ⁷ / ₈)	730 (28 ³ / ₄)	600 (23 ⁵ / ₈)	945 (37 ¹ / ₄)	36 (1 ³ / ₈)

EP Cleaner



- Low-cost
- Worn or damaged covers
- Single or bi-directional conveyors
- Single blade
- Pulley diameter 250-900mm (10"-35")
- Belt speed up to 4.0m/s (787ft/min)
- Vulcanised or clipped conveyor belts
- Easy to maintain

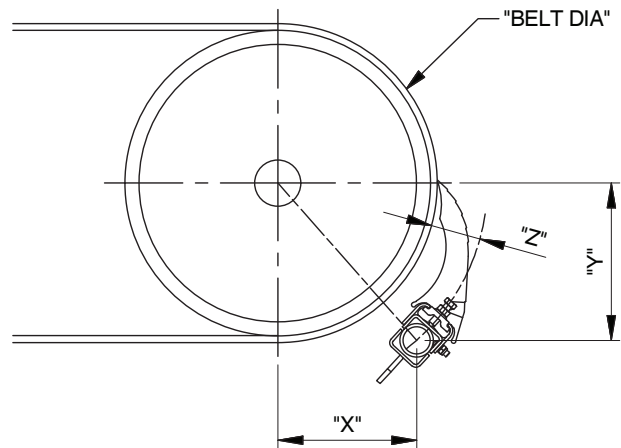
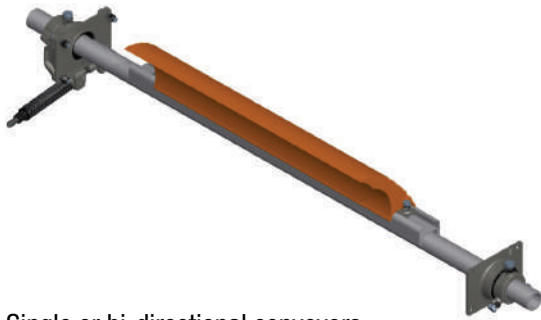


Ø = Pulley lagging & belt thickness

Pole Centre Location Table - mm (inches)

Ø	X	C	Y
250 (9 ⁷ / ₈)	102 (4)	229 (9)	250 (9 ⁷ / ₈)
280 (11)	121 (4 ³ / ₄)	229 (9)	258 (10 ¹ / ₄)
300 (11 ⁷ / ₈)	137 (5 ³ / ₈)	229 (9)	266 (10 ¹ / ₂)
330 (13)	162 (6 ³ / ₈)	229 (9)	280 (11)
355 (14)	175 (6 ⁷ / ₈)	229 (9)	288 (11 ³ / ₈)
380 (15)	197 (7 ³ / ₄)	229 (9)	302 (11 ⁷ / ₈)
405 (16)	206 (8 ¹ / ₈)	229 (9)	308 (12 ¹ / ₈)
430 (17)	225 (8 ⁷ / ₈)	229 (9)	321 (12 ⁵ / ₈)
460 (18 ¹ / ₈)	235 (9 ¹ / ₄)	229 (9)	328 (13)
485 (19 ¹ / ₈)	254 (10)	229 (9)	342 (13 ¹ / ₂)
510 (20 ¹ / ₈)	264 (10 ³ / ₈)	229 (9)	349 (13 ³ / ₄)
535 (21 ¹ / ₈)	279 (11)	229 (9)	361 (14 ¹ / ₄)
560 (22 ¹ / ₈)	298 (11 ³ / ₄)	229 (9)	376 (14 ⁷ / ₈)
585 (23 ¹ / ₈)	314 (12 ³ / ₈)	229 (9)	389 (15 ³ / ₈)
610 (24)	330 (13)	229 (9)	402 (15 ⁷ / ₈)
635 (25)	346 (13 ⁵ / ₈)	229 (9)	415 (16 ³ / ₈)
660 (26)	362 (14 ¹ / ₄)	229 (9)	428 (16 ⁷ / ₈)
685 (27)	378 (14 ⁷ / ₈)	229 (9)	442 (17 ³ / ₈)
710 (28)	391 (15 ³ / ₈)	229 (9)	452 (17 ⁷ / ₈)
740 (29 ¹ / ₈)	406 (16)	229 (9)	466 (18 ³ / ₈)
760 (30)	422 (16 ⁵ / ₈)	229 (9)	480 (18 ⁷ / ₈)
790 (31 ¹ / ₈)	435 (17 ¹ / ₈)	229 (9)	491 (19 ³ / ₈)
815 (32 ¹ / ₈)	451 (17 ³ / ₄)	229 (9)	505 (19 ⁷ / ₈)
840 (33 ¹ / ₈)	464 (18 ¹ / ₄)	229 (9)	517 (20 ³ / ₈)
865 (34 ¹ / ₈)	479 (18 ⁷ / ₈)	229 (9)	531 (20 ⁷ / ₈)
890 (35 ¹ / ₈)	492 (19 ³ / ₈)	229 (9)	543 (21 ³ / ₈)
915 (36)	508 (20)	229 (9)	557 (22)

XHD Polyurethane Belt Cleaner



- Single or bi-directional conveyors
- Worn or damaged covers
- Pulley diameter up to 1200mm (47")
- Belt speed up to 5.5m/s (1100ft/min)
- Vulcanised or clipped conveyor belts
- Easy to maintain

CLEANER SETOUT

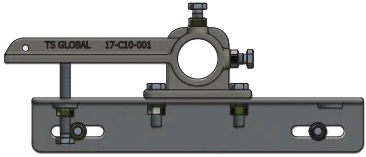
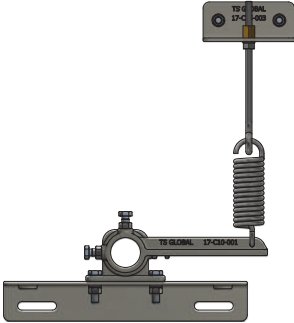
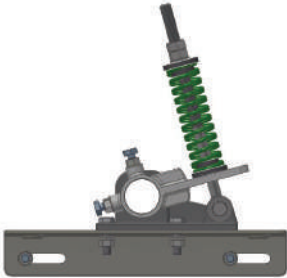
Recommended Cleaner Setout Dimensions - mm (inches)

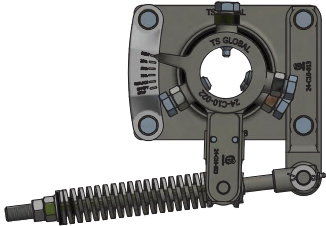
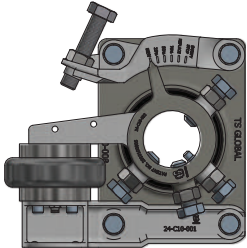
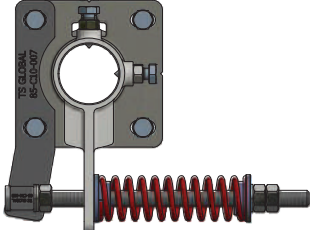
Pulley DIA	600 (23 ^{5/8})	700 (27 ^{5/8})	800 (31)	900 (35 ^{1/2})	1000 (39 ^{3/8})	1100 (43 ^{3/8})	1200 (47 ^{1/4})
DIM "X"	222 (8 ^{3/4})	300 (12 ^{1/4})	368 (15)	443 (17 ^{1/2})	494 (19 ^{1/2})	552 (21 ^{3/4})	610 (24)
DIM "Y"	340 (13 ^{3/8})	340 (13 ^{3/8})	340 (13 ^{3/8})	340 (13 ^{3/8})	340 (13 ^{3/8})	340 (13 ^{3/8})	340 (13 ^{3/8})
DIM "Z"	106 (4 ^{1/4})	103 (4 ^{1/8})	101 (4)	100 (4)	99 (3 ^{7/8})	99 (3 ^{7/8})	98 (3 ^{7/8})

PRIMARY BELT CLEANER OPTIONS

Cleaner Options	Blade Options			Suspension Arms			Cushions			Pole					Tensioners			
	Standard Tungsten	Heavy Duty Tungsten	Polyurethane	Standard	Heavy Duty	Extreme Duty	Standard Duty	Extreme Duty	Lightweight ETP	Standard Duty	Reinforced	Extreme Pole	Retractable	Lightweight Aluminium	Screw	Spring	Air	Hydraulic
H Tungsten	✓	✓	✗	✓	✓	✓	✓	✓	✓	✓	✓	✓	✓	✓	✓	✓	✓	✓
H Poly (mono arm)	✗	✗	✓	✗	✗	✗	✓	✓	✓	✓	✓	✓	✓	✗	✓	✓	✓	✓
XHD	✓	✗	✓	✗	✗	✗	✗	✗	✗	✓	✓	✗	✗	✗	✗	✓	✓	✗
EP Cleaner	✗	✗	✓	✗	✗	✗	✗	✗	✗	✓	✓	✗	✗	✗	✗	✓	✗	✗

PRIMARY TENSIONING OPTIONS

H Screw	Tension Spring H	Compression Spring H
		
<ul style="list-style-type: none"> • Compact and cost-effective design • Easy to install and maintain • Compatible with tungsten cleaners 	<ul style="list-style-type: none"> • Easy to install and maintain • Self-tensioning • Compatible with polyurethane cleaners 	<ul style="list-style-type: none"> • Cost-effective • Compact design • User-friendly • Self-adjustable

Compression Spring XHD	Air Tension XHD	Compression Spring EP
		
<ul style="list-style-type: none"> • Compact design • User friendly • Available with wear indicator • Self-adjustable 	<ul style="list-style-type: none"> • Compact design • User friendly • Available with wear indicator • Self-adjustable 	<ul style="list-style-type: none"> • Cost-effective • Compact design • User-friendly • Self-adjustable

POLYURETHANE OPTIONS

All TS Global Polyurethane Cleaners are available in the following grades:




Polyurethane Grades	Colour	Application
Standard	Orange	Wet, non-abrasive applications such as coal
Fire Resistant Anti-Static (MSHA)	Black	Underground mines and tunnels
Ceramic	Blue	Abrasive applications such as quarry and hard rock
Ceramic Fire Resistant Anti-Static (MSHA)	Black	Abrasive applications in underground mines and tunnels
Low Friction	Green	Dry, abrasive, high speed applications such as iron ore

SECONDARY (OR TERTIARY) BELT CLEANERS

A secondary belt cleaner plays a crucial role in enhancing conveyor performance by removing the remaining fines that pass through the primary cleaner. By minimising carry-back and reducing maintenance, it ensures that the conveyor system operates efficiently. However, for the secondary cleaner to work at its best, a high-performing primary belt cleaner is indispensable.

OPTIONS

Cleaner Options	Blade Options				Cushions			Pole					Tensioners			
	Standard Tungsten	Heavy Duty Tungsten	Tool Steel	Polyurethane	Standard Duty	Extreme Duty	Lightweight ETP	Standard Duty	Reinforced	Extreme Pole	Retractable	Lightweight Aluminium	Screw	Spring	Air	Hydraulic
P Cleaner	✓	✓	✓	✓	✓	✓	✓	✓	✓	✓	✓	✓	✓	✓	✓	✓
P Spraypole Cleaner	✓	✓	✓	✓	✓	✓	✓	✓	✓	✓	✓	✗	✓	✓	✓	✓
R Cleaner	✓	✓	✓	✓	✓	✓	✓	✓	✓	✓	✓	✓	✓	✓	✓	✓
R Spraypole Cleaner	✓	✓	✓	✓	✓	✓	✓	✓	✓	✓	✓	✗	✓	✓	✓	✓
U Cleaner	✓	✗	✗	✓	✗	✗	✗	✗	✗	✗	✗	✗	✗	✓	✗	✗
Tuffline Cleaner	✓	✗	✓	✓	✗	✗	✗	✗	✓	✗	✗	✗	✓	✓	✓	✓
ES Cleaner	✓	✗	✓	✓	✗	✗	✗	✓	✗	✗	✗	✗	✗	✓	✗	✗

P Cleaner	Spray Pole P Cleaner	R Cleaner
 <ul style="list-style-type: none"> • Single direction conveyors • Belt speed up to 7.0m/s (1400ft/min) - tungsten; 5.5m/s (1100ft/min) - tool steel or polyurethane • Vulcanised (tungsten) or clipped (tool steel) conveyor belts 	 <ul style="list-style-type: none"> • Single direction conveyors • Belt speed up to 7.0m/s (1400ft/min) • Vulcanised (tungsten) or clipped (tool steel) conveyor belts • High cleaning performance • Available in retractable cartridge 	 <ul style="list-style-type: none"> • Shuttles, trippers, single, reversing or bi-directional conveyors • Belt speed up to 7.0m/s (1400ft/min) - tungsten; 5.5m/s (1100ft/min) - tool steel • Vulcanised (tungsten) or clipped (tool steel) conveyor belts • High cleaning performance

Spray Pole R Cleaner



- Shuttles, trippers, single, reversing or bi-directional conveyors
- Belt speed up to 7.0m/s (1400ft/min) - tungsten; 5.5m/s (1100ft/min) - tool steel
- Vulcanised (tungsten) or clipped (tool steel) conveyor belts
- High cleaning performance
- Available in retractable cartridge

U Cleaner



- Single-direction conveyors
- Belt speed up to 7.0m/s (1400ft/min) - tungsten; 5.5m/s (1100ft/min) - polyurethane
- Vulcanised (tungsten) or clipped (polyurethane) conveyor belts
- Easy to maintain

Retractable P Cleaner



- Single-direction conveyors
- Belt speed up to 7.0m/s (1400ft/min) - tungsten; 5.5m/s (1100ft/min) - tool steel
- Vulcanised (tungsten) or clipped (tool steel) conveyor belts

Retractable R Cleaner



- Shuttles, trippers, single, reversing or bi-directional conveyors
- Belt speed up to 7.0m/s (1400ft/min) - tungsten; 5.5m/s (1100ft/min) - tool steel or polyurethane
- Vulcanised (tungsten) or clipped (tool steel or polyurethane) conveyor belts

Tuff Line Cleaner



- Shuttles, trippers, single, reversing or bi-directional conveyors
- Belt speed up to 7.0m/s (1400ft/min) - tungsten; 5.5m/s (1100ft/min) - tool steel or polyurethane
- Vulcanised (tungsten) or clipped (tool steel or polyurethane) conveyor belts
- Easy to maintain due to retractable cartridge and slide-on blades

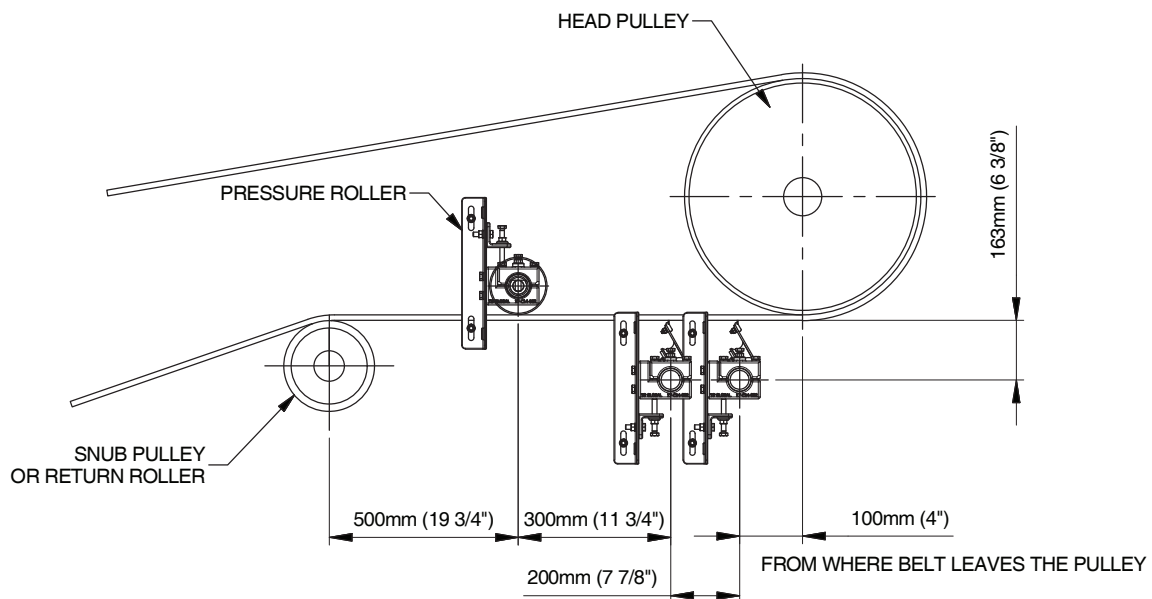
ES Cleaner



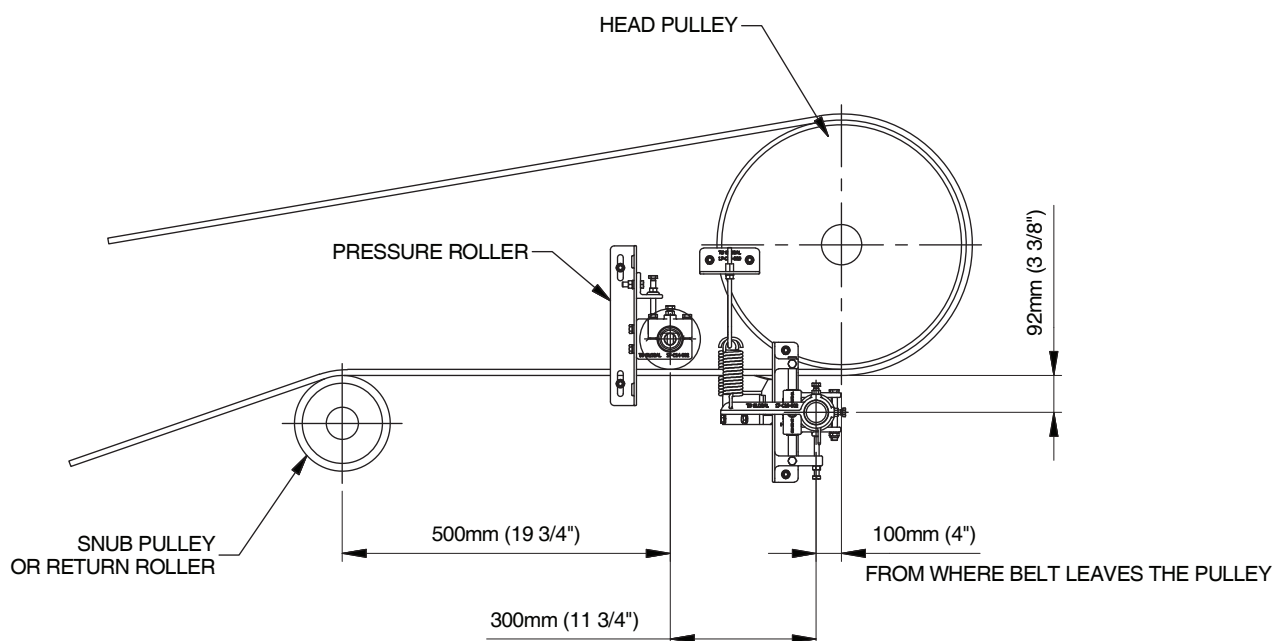
- Low-cost cleaner
- Easy to maintain due to slide-on blades
- All conveyors including shuttles, trippers, single, reversing or bi-directional conveyors
- Belt speed up to 5.5m/s (1100ft/min)
- Vulcanised (tungsten or tool steel) or clipped (tool steel or polyurethane) conveyor belts

Installation Guide

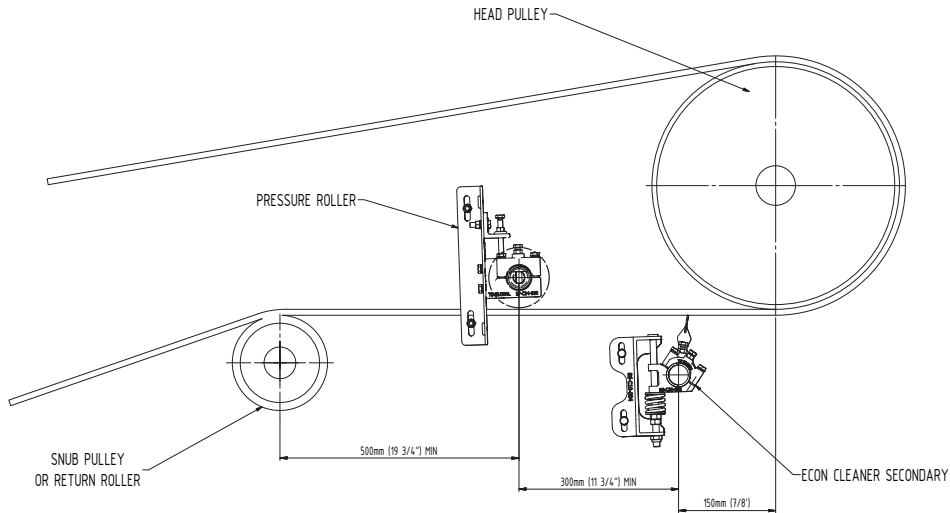
P/R BELT CLEANER INSTALLATION GUIDE



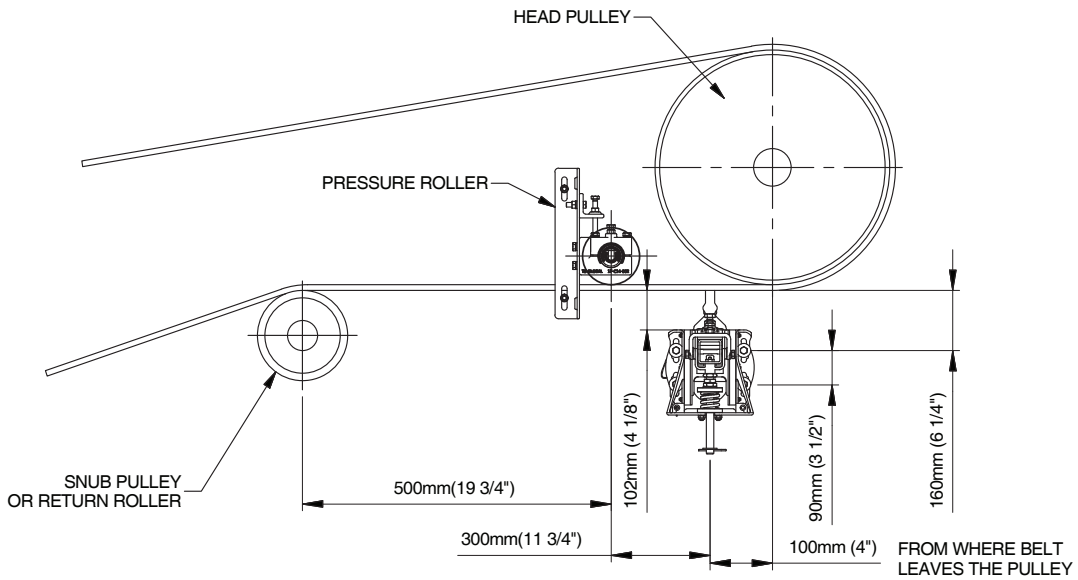
U BELT CLEANER INSTALLATION GUIDE



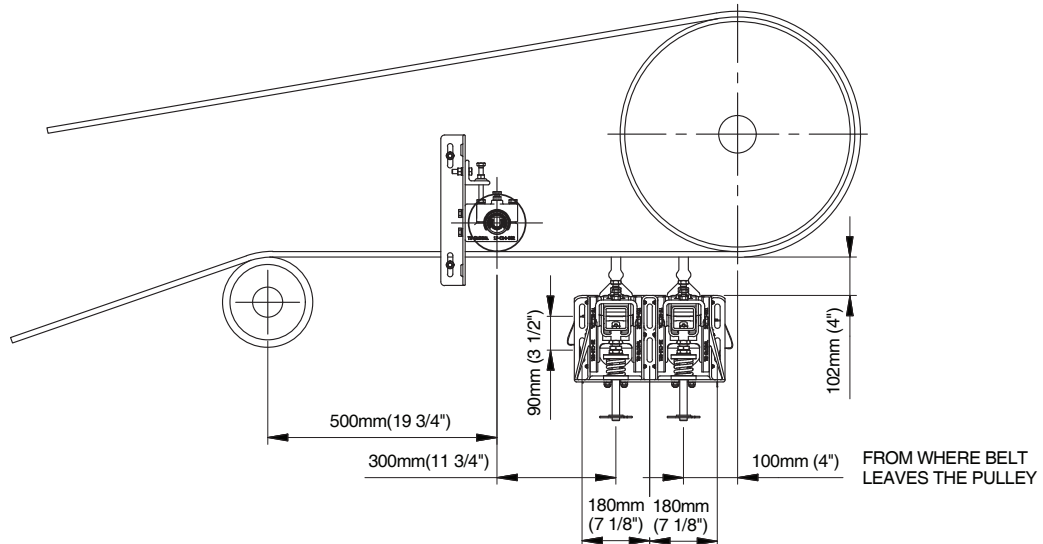
ES BELT CLEANER INSTALLATION GUIDE



TUFFLINE BELT CLEANER INSTALLATION GUIDE



DUAL TUFFLINE BELT CLEANER INSTALLATION GUIDE



INLINE CLEANER MOUNTING OPTIONS

All TS Global Inline Cleaners are available with the following mounting options:

Single Fixed



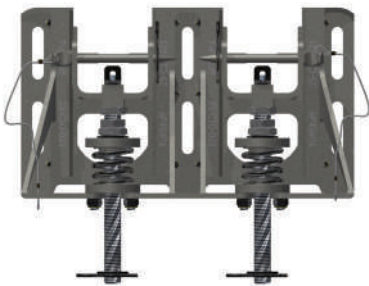
- Compact design
- Cost-effective
- Easy to install and maintain
- Range of tensioners available

Single Swivel



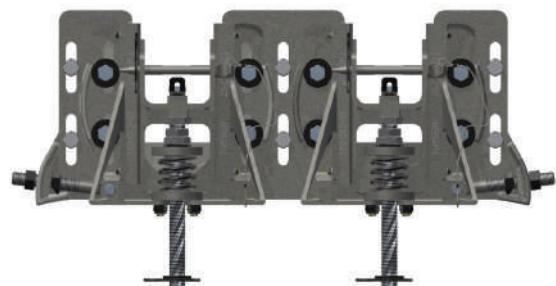
- Compact design
- Allows cleaner adjustment to the exact angle
- Optimises performance
- Range of tensioners available

Dual Fixed



- Minimises space requirement when two cleaners are used
- Easy to install and maintain
- Range of tensioners available

Dual Swivel



- Minimises space requirement when two cleaners are used
- Easy to install and maintain
- Allows cleaner adjustment to the exact angle
- Optimises performance
- Range of tensioners available

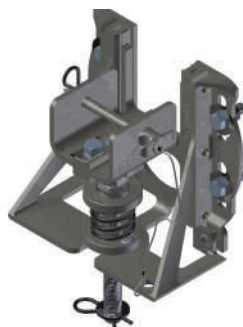
INLINE CLEANER TENSIONING OPTIONS

All TS Global Inline Cleaners are available with the below tensioning options:

Screw



Spring



Air





SECONDARY CLEANER TENSION OPTIONS

Universal Tensioning System



Screw Tension

- Compact design
- Cost-effective
- User friendly
- Manual adjusting



Overhead Spring Tension

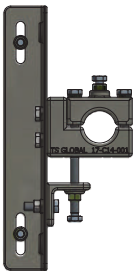
- Compact design
- Cost-effective
- User friendly
- Self-adjusting



Under Slung Tension

- Compact design
- Cost-effective
- User friendly
- Self-adjusting

P/R Screw



- Compact design
- Cost-effective
- User friendly

Associated Products

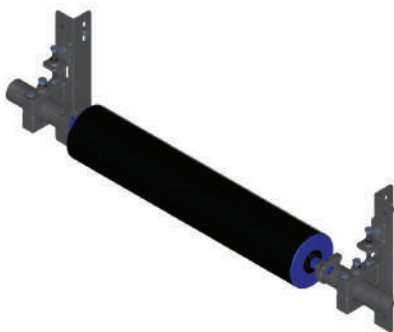
TS Global's innovative range of conveyor accessories is specifically crafted to elevate the efficiency and overall performance of your belt cleaning system. These top-of-the-line accessories are expertly designed to seamlessly integrate with your current system, providing unparalleled results. With TS Global's accessories you can rest assured that your conveyor system is operating at maximum capacity, ultimately leading to increased productivity and profitability. Don't settle for anything less than the best – choose TS Global's conveyor accessories to take your business to the next level.

- Stabilising rollers
- Water control manifolds
- Spray bars
- Air control boxes
- Hydraulic tensioners
- Inspection doors

BELT STABILISATION

Harmonic frequency in a conveyor belt can cause an unstable surface for belt cleaners, which can prevent them from performing optimally. To maintain consistent tip pressure on a flat and stable belt surface, a pressure roller (if a snub pulley is present) or a set of stabilizing rollers can be installed. Our belt stabilisation systems are designed to be flexible, enabling the use of standard site rollers.

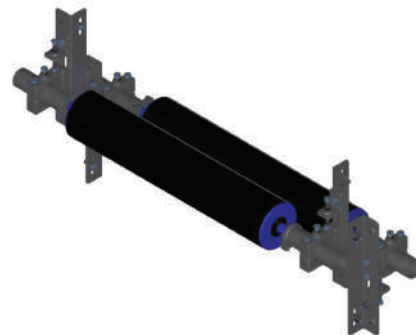
Pressure Roller Assembly*



- Used in conjunction with any belt cleaning system
- Easy installation and adjustment
- Suits all rollers
- Stabilises belt for improved cleaner performance

* Rollers not included

Stabilising Roller Assembly*



- Stabilises belt for improved cleaner performance
- Used in conjunction with any belt-cleaning system
- Easy installation and adjustment
- Suits all roller

* Rollers not included

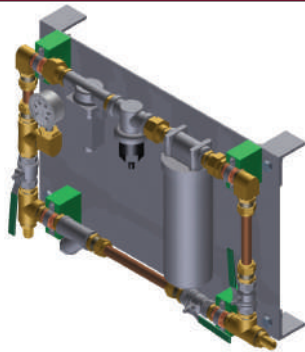
WATER CONTROL MANIFOLDS

The water control manifold is a critical component of any belt cleaning system, responsible for controlling the supply, pressure, and cleanliness of water. These factors play a key role in ensuring the cleaning system operates at its optimum performance levels, and the lifespan of all interacting components, including the conveyor belt, lagging, and return rollers, is maximised. Our water control manifolds feature a solenoid connected to the conveyor's operating system (PLC), programmed to supply water only when the conveyor is in operation.

We offer three types of water control manifolds to suit different needs:

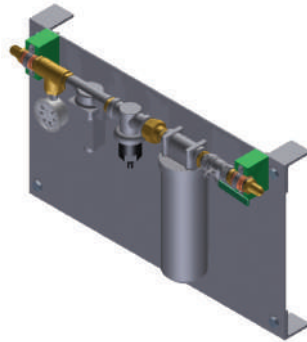
- Standard inline configuration (with no bypass line) - also available in an enclosed cabinet
- Standard with bypass (maintenance line) - also available in an enclosed cabinet
- Customized configurations tailored to specific requirements.

Water Control Unit with Bypass



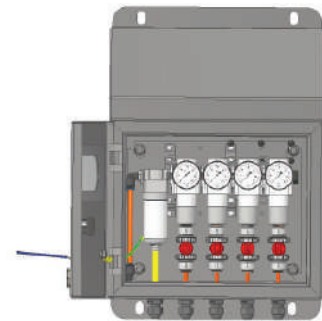
- Controls water flow to sprays
- Filters water to prevent blocked sprays
- Bypass line allows for maintenance in operation
- Regulator allows water pressure to be adjusted whilst conveyor is operating

Water Control Unit



- Controls water flow to sprays
- Filters water to prevent blocked sprays
- Regulator allows water pressure to be adjusted whilst conveyor is operating

Enclosed Water Control Unit with Bypass



- Controls water flow to sprays
- Filters water to prevent blocked sprays
- Protected by SS304 sloped roof cabinet
- Allows water pressure to be adjusted whilst conveyor is operating

SPRAY BARS

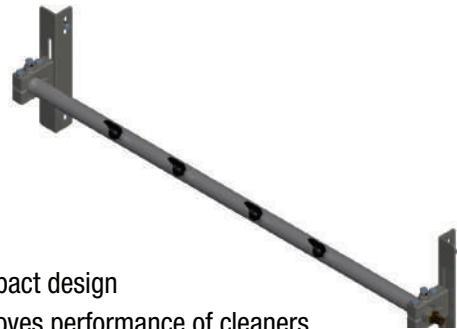
The spray bar is an economical solution to retrofit water to an existing dry belt cleaning system, without the need for a new cleaner. It is typically installed after the primary cleaner and before the secondary cleaner, to prevent sprays from clogging. One of the benefits of a spray bar is its lightweight construction, which allows for easy removal and cleaning of the spray nozzles when needed.

Spray Bar with U Bolt Mounts



- Significantly compact design
- Improves performance of cleaners
- Reduced weight for handling
- Simple mounting arrangement

Spray Bar with Clamp Block Mounts



- Compact design
- Improves performance of cleaners
- Reduced weight for handling
- Adjustable mounting arrangement

AIR CONTROL BOXES

Our air control boxes are designed to be robust, with longevity in mind.

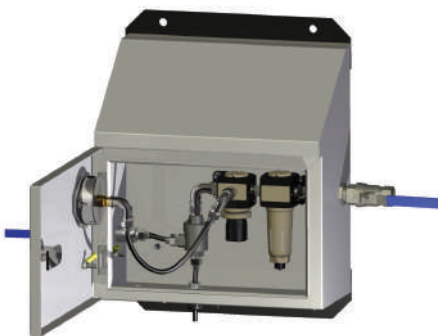
The purpose of the air control box is to ensure that a fixed pressure is applied to the belt cleaning system at all times.

Features of the air control unit include:

- Water or air filtration
- Pressure control

These are available with single, double or triple outlets to control single or multiple cleaners from one box.

Air Control Box Single



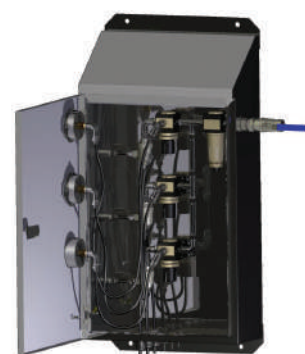
- Maintains constant air pressure on a single cleaner
- Enclosed by SS304 sloped roof cabinet
- Robust design

Air Control Box Double



- Maintains constant pressure on two cleaners
- Enclosed by SS304 sloped roof cabinet
- Robust design

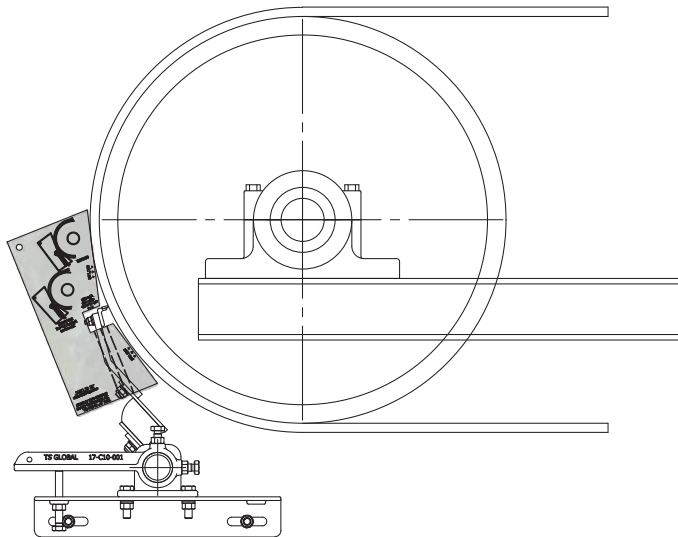
Air Control Box Triple



- Maintains constant pressure on three cleaners
- Enclosed by SS304 sloped roof cabinet
- Robust design

CLEANER SETUP TEMPLATES

H Cleaner

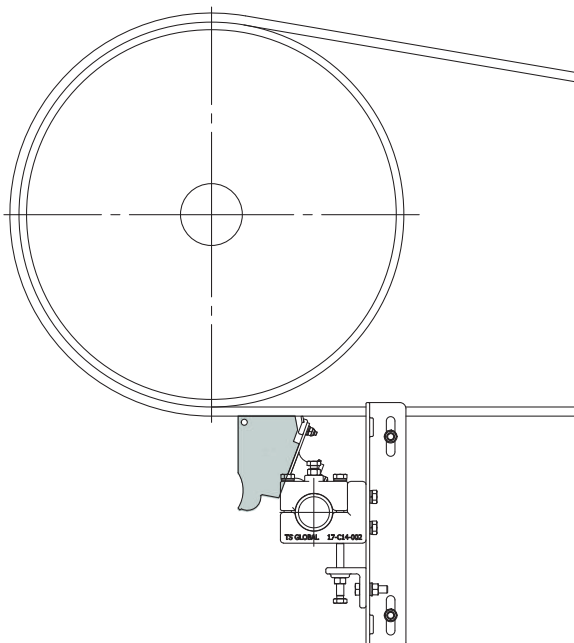


H Cleaner Template



- Cost effective
- Assists with the correct set-up of cleaner

P Cleaner



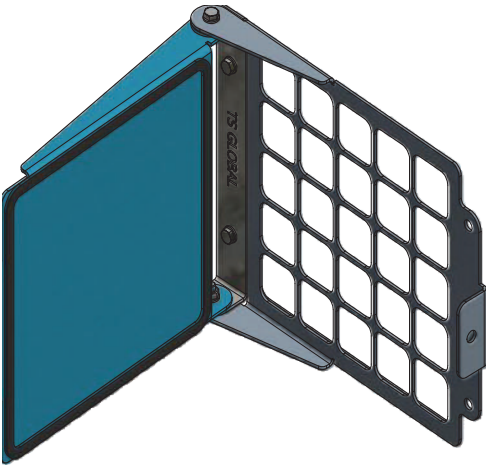
P Cleaner Template



- Cost effective
- Assists with the correct set-up of cleaner

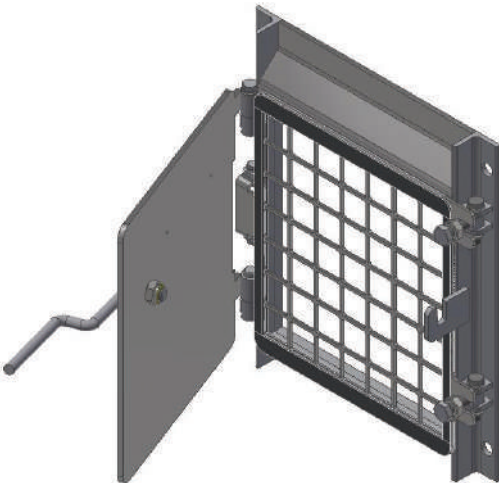
INSPECTION DOOR

Basic Inspection Door



- Allows safe inspection of cleaners while the belt is operating
- Retains dust within the confines of the transfer chute
- Available in 3 sizes:
 - 300mm (L) x 300mm (W) (12" x 12")
 - 300mm (L) x 450mm (W) (12" x 18")
 - 450mm (L) x 600mm (W) (18" x 24")

Premium Inspection Door



- Allows safe inspection of cleaners while the belt is operating
- Retains dust within the confines of the transfer chute
- Mesh guard can be removed/opened
- Available in 3 sizes:
 - 300mm (L) x 220mm (W) (12" x 85/8")
 - 450mm (L) x 300mm (W) (173/4" x 113/4")
 - 600mm (L) x 450mm (W) (235/8" x 173/4")



TS Global[®]

Conveyor & Polyurethane Specialists



PHONE 1300 418 298 • **EMAIL** sales@tsglobal.net.au • **WEB** www.tsglobal.net.au
WELSHPOOL WA • **TOMAGO NSW** • **MACKAY QLD**

ABN 30 603 644 748

